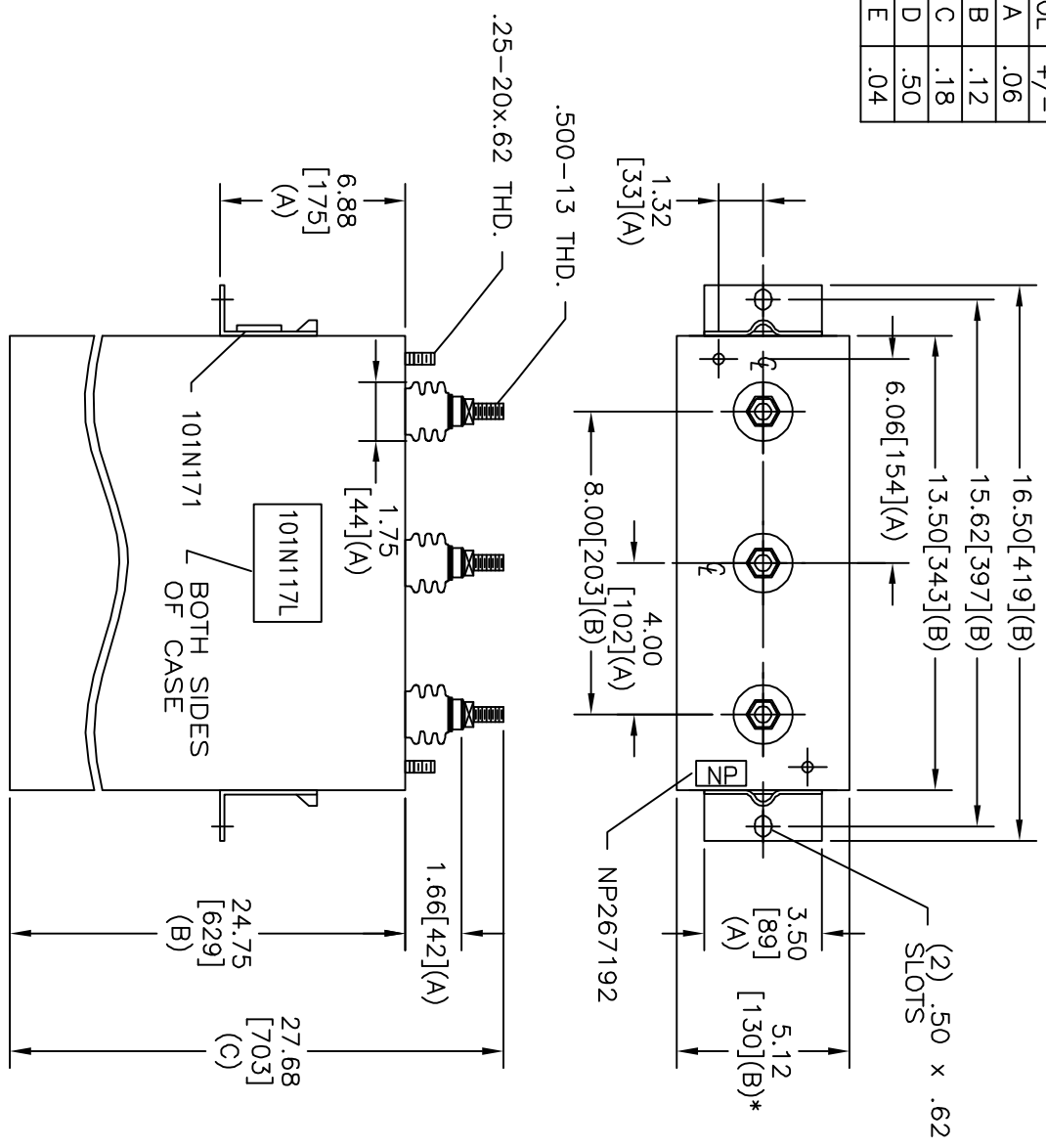


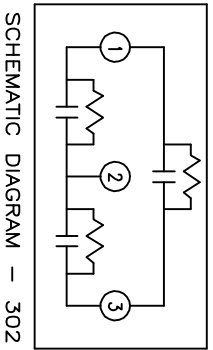
TOL	+/-
A	.06
B	.12
C	.18
D	.50
E	.04



* UP TO +.50
CASE BULGE

MAX. TERMINAL
TIGHTENING TORQUE
15 FT-LBS
NP267192A

SIZE	DWG NO	SHT	REV
A	16L0239WH3	2	4
REV	DESCRIPTION	DATE	APPROVED
4	101N171 WAS J	9/19/2007	BTR



480V 3 PH DELTA 30 KVBL
100 KVAR 60 HZ
CAT 16L0239WH3 SN
2.30 GAL.
MFG DATE
101N171 READ GEH-2743

		GE ENERGY FORT EDWARD, N.Y., U.S.A.	
DRAWN E. McGinn	DATE 7/19/2001	DATE 8/15/2001	DATE 8/15/2001
ISSUED	SCALE A	SHEET 2	CONT 3

OUTLINE
16L0239WH3

DISTR. TO