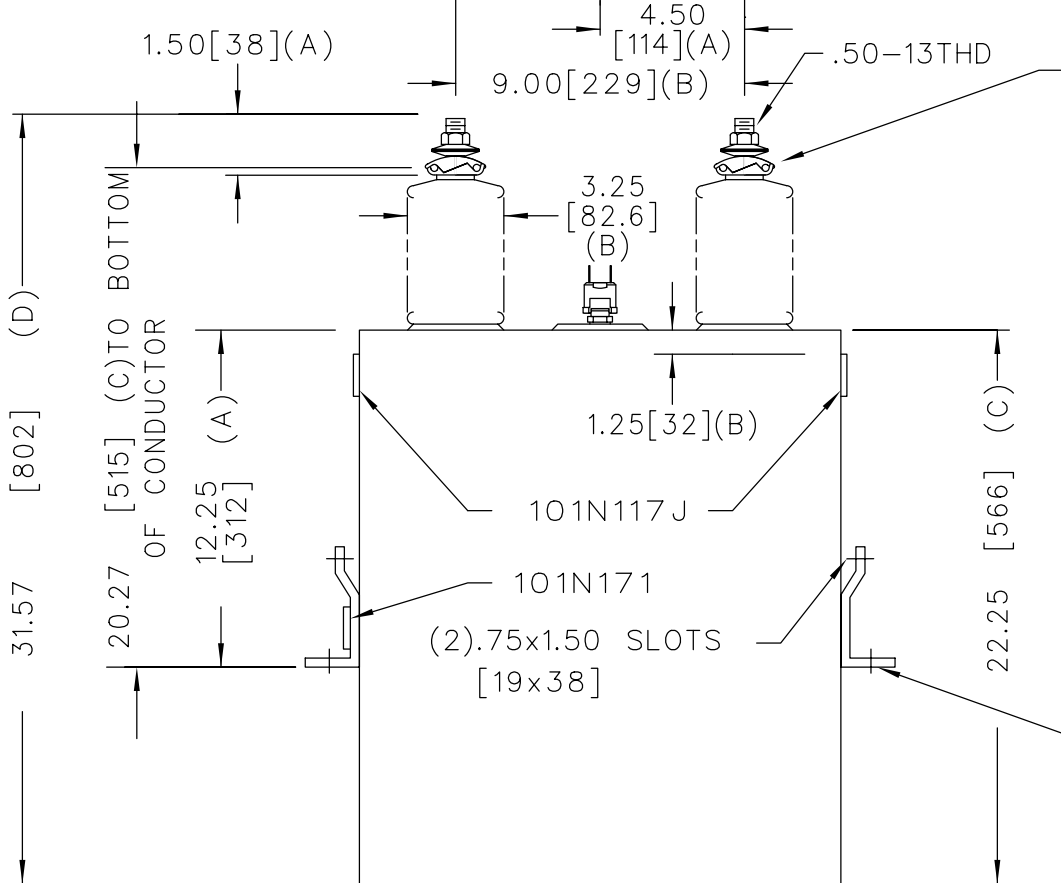
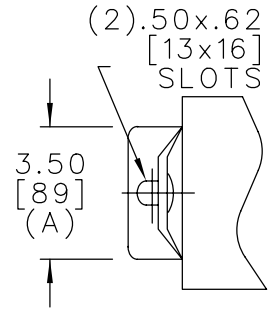


* UP TO +.50 CASE BULGE



SOLDERLESS CONN. FOR #10 SOLID TO #2 STRD COND.

TOL	in.
A	.06
B	.12
C	.18
D	.25



6300 V	1 Ph	95 kVBIL
286 kVAR		60 Hz
CAT. 16L0262WH4		
3.1 GAL.		
MFG DATE		
101N171	READ	GEH-2743

UNPAINTED AREA UNDER BOTH BRKTS FOR GROUNDING