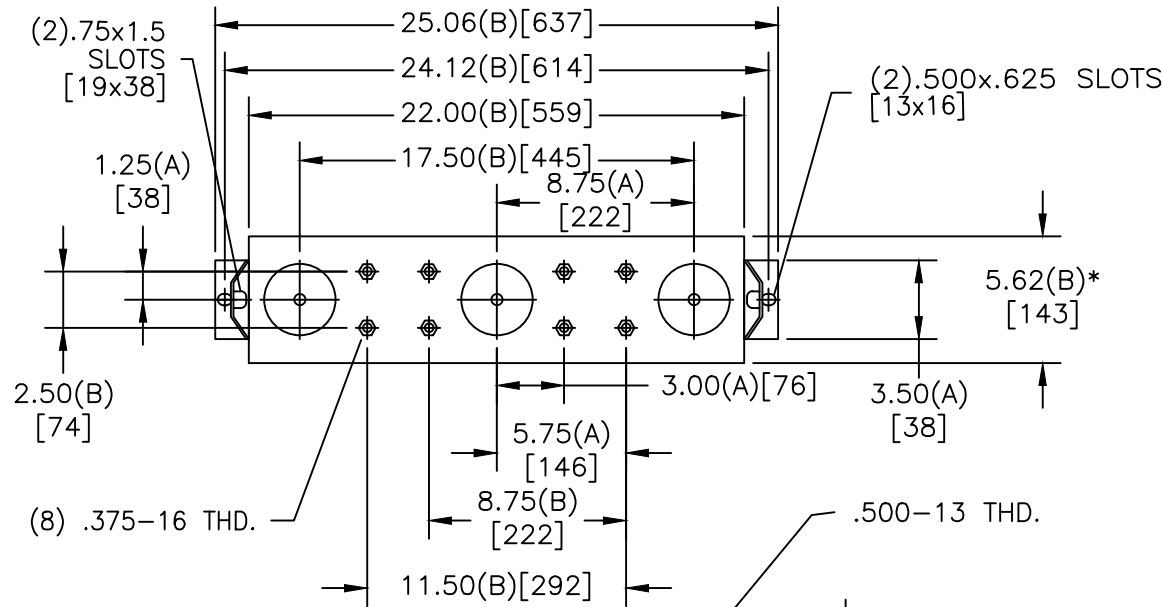
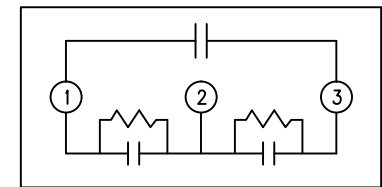


SIZE A	DWG NO 16L0269WH3	SHT 2	REV 3
REV 3	DESCRIPTION Update NP # for PH	DATE 1/31/2019	APPROVED LLC




TOL	+/-
A	.06
B	.12
C	.18
D	.25

\* UP TO +.50 CASE BULGE



SCHEMATIC DIAGRAM - 304




## Capacitor

With Dielektrol Fluid  
With Internal Discharge Resistors

Volt. 6600	PH 3	kVBIL
kVAR 200	Hz 60	Mea.
Cat. 16L0269WH3		SN.
<b>DELTA CONNECTION</b>		

Contains 3.5 Gal. Combustible Liquid with less than one part per million PCB on MFG date:  
CAUTION! Before installing or operating Read GEH- 2743  
101N171A Clearwater, Florida USA

	<b>GE ENERGY</b> Clearwater, Florida USA		SIZE <b>A</b>
	DRAWN LOWERY	DATE 3/26/2003	
	ISSUED	DATE 5/22/2008	SCALE

OUTLINE  
16L0269WH3

SHEET 2 CONT ON -

DISTR. TO