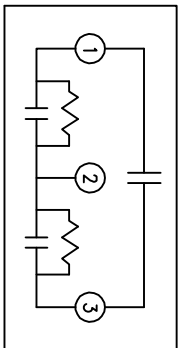
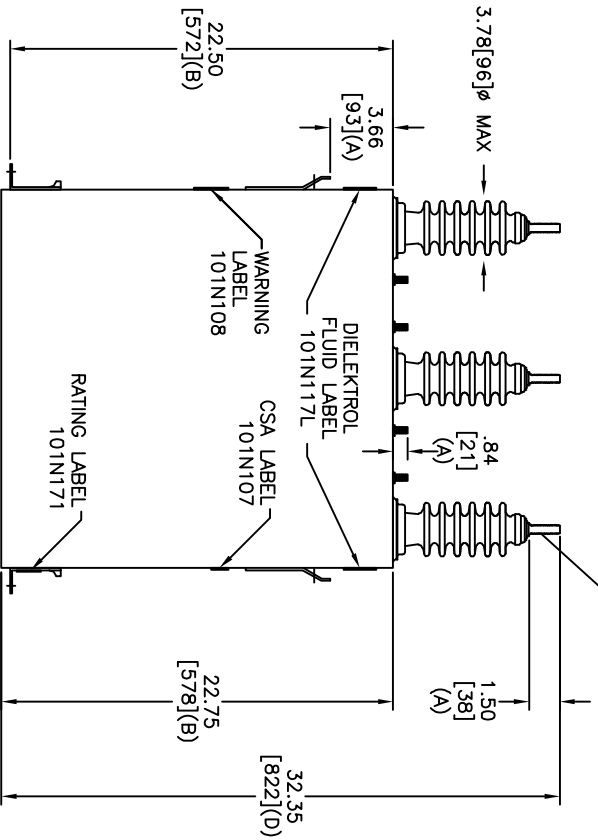
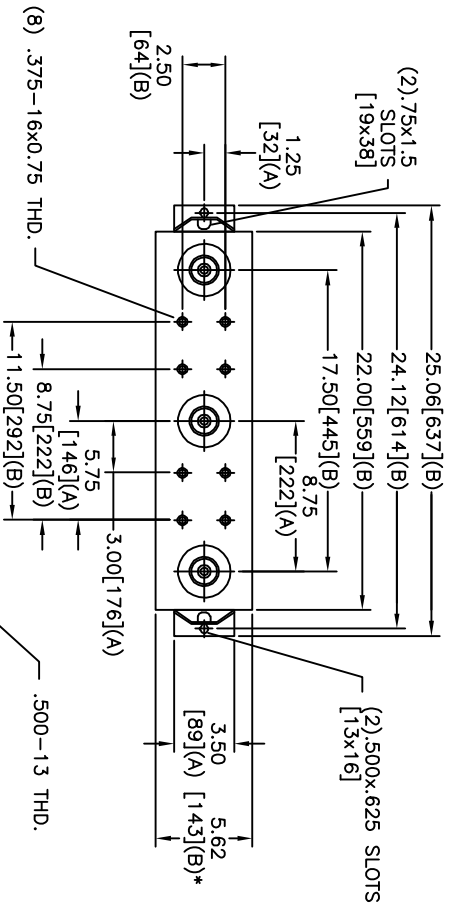


SIZE	DWG NO	SHT	REV
A	16L0271WH3	2	1
REV	DESCRIPTION	DATE	APPROVED
1	101N117L WAS J	9/19/2007	BTR

TOL	+/-
A	.06
B	.12
C	.18
D	.25

* UP TO +.75 CASE BULGE



6600 V	3 PH	KVBIL
300 KVAR	60 Hz	
CAT 16L0271WH3	SN	
3.7 GAL.	MFG DATE	
101N171	READ DATE	GEH - 2743



GE ENERGY
 FORT EDWARD, N.Y., U.S.A.

DRAWN	LOWERY	DATE	3/26/2003
ISSUED		DATE	2/14/2007

SIZE
 A

EST WT
 163/74
 LB/KG

OUTLINE
 16L0271WH3

SHEET 2 CONT 3

DISTR. TO