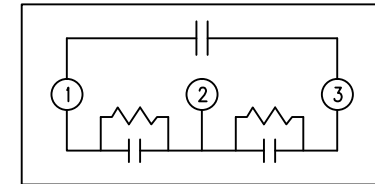
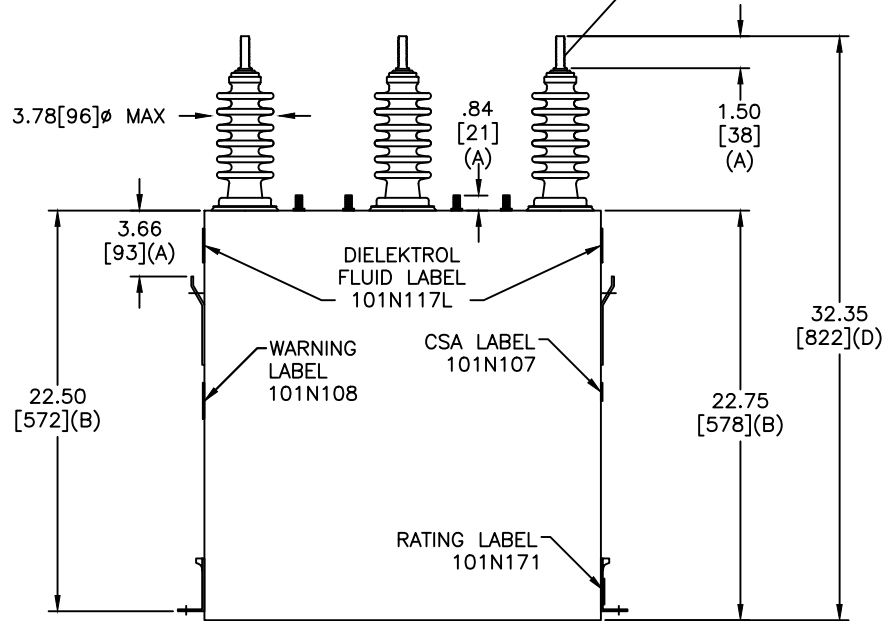
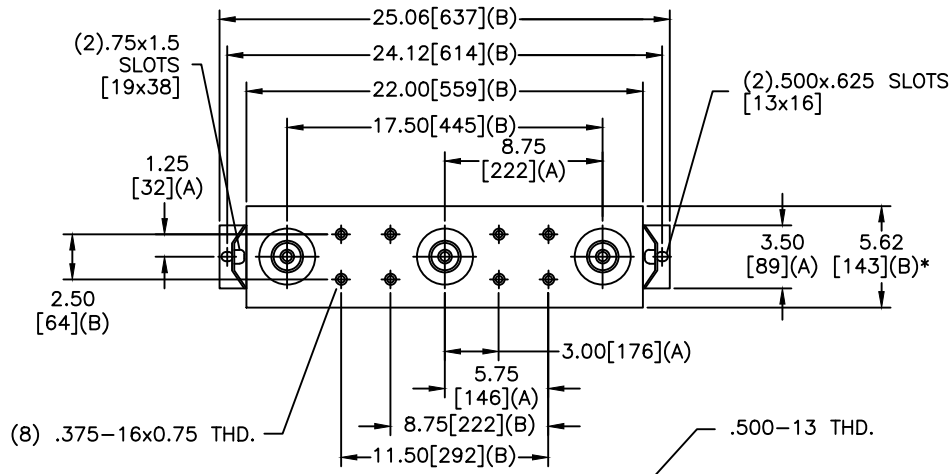


SIZE A	DWG NO 16L0272WH3	SHT 2	REV
REV	DESCRIPTION	DATE	APPROVED

TOL	+/-
A	.06
B	.12
C	.18
D	.25

* UP TO +.75 CASE BULGE



SCHEMATIC DIAGRAM - 304

DELTA CONN
 6600 V 3 PH 95 KVBIL
 350 KVAR 60 Hz
 CAT 16L0272WH3 SN
 3.7 GAL.
 MFG DATE
 101N171 READ GEH- 2743

GE ENERGY FORT EDWARD, N.Y., U.S.A.		SIZE A	EST WT 163/74 LB/KG
DRAWN	JBC	DATE	2/10/2015
ISSUED		DATE	2/10/2015

SCALE		SHEET 2 CONT ON 3	
<h1>OUTLINE</h1> <h2>16L0272WH3</h2>			

DISTR. TO