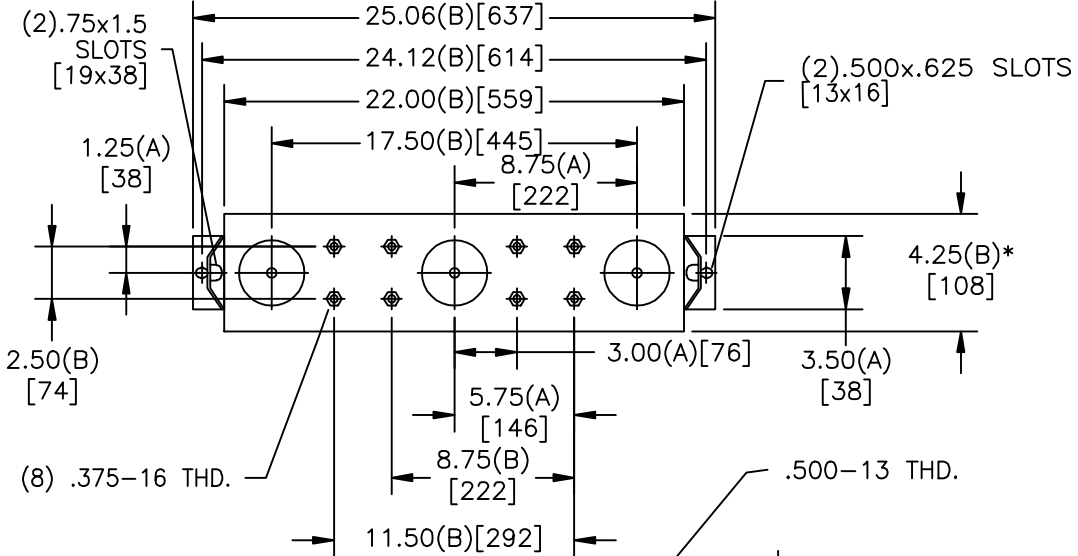
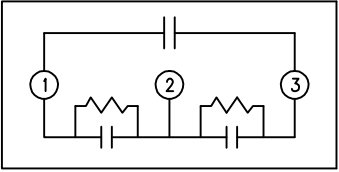
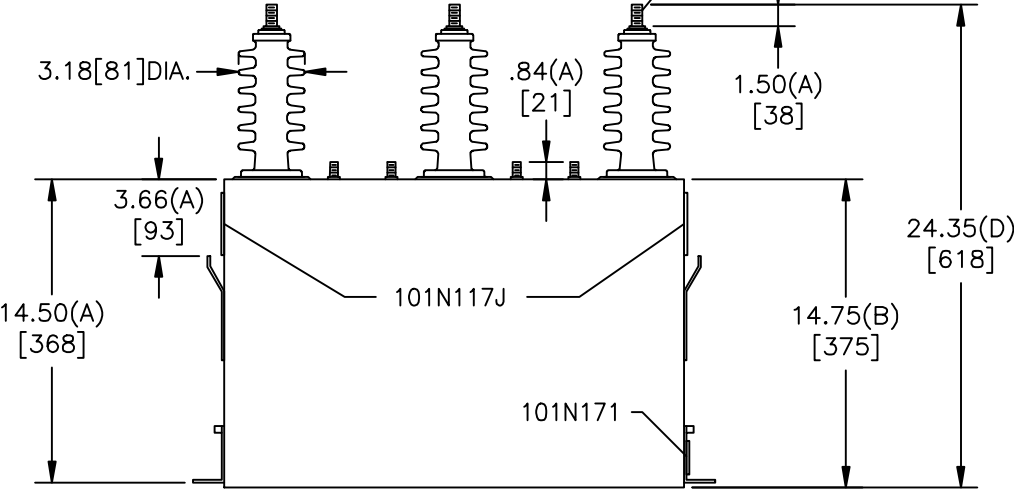


SIZE A	DWG NO 16L0283WH3	SHT 2	REV
REV	DESCRIPTION	DATE	APPROVED



TOL	+/-
A	.06
B	.12
C	.18
D	.25

* UP TO +.50 CASE BULGE



SCHEMATIC DIAGRAM - 304

7200 VOLTS 3 PH KVBIL
 50 KVAR 60 HZ
 CAT. 16L0283WH3
 2.2 GALS.
 MFG DATE
 READ GEH-2743
 101N171

INDUSTRIAL SYSTEMS FORT EDWARD, N.Y., U.S.A.		SIZE A
DRAWN LOWERY	DATE MAR 27, 2003	SCALE
ISSUED	DATE	

OUTLINE
 16L0283WH3

SHEET 2	CONT ON -
------------	--------------

DISTR. TO