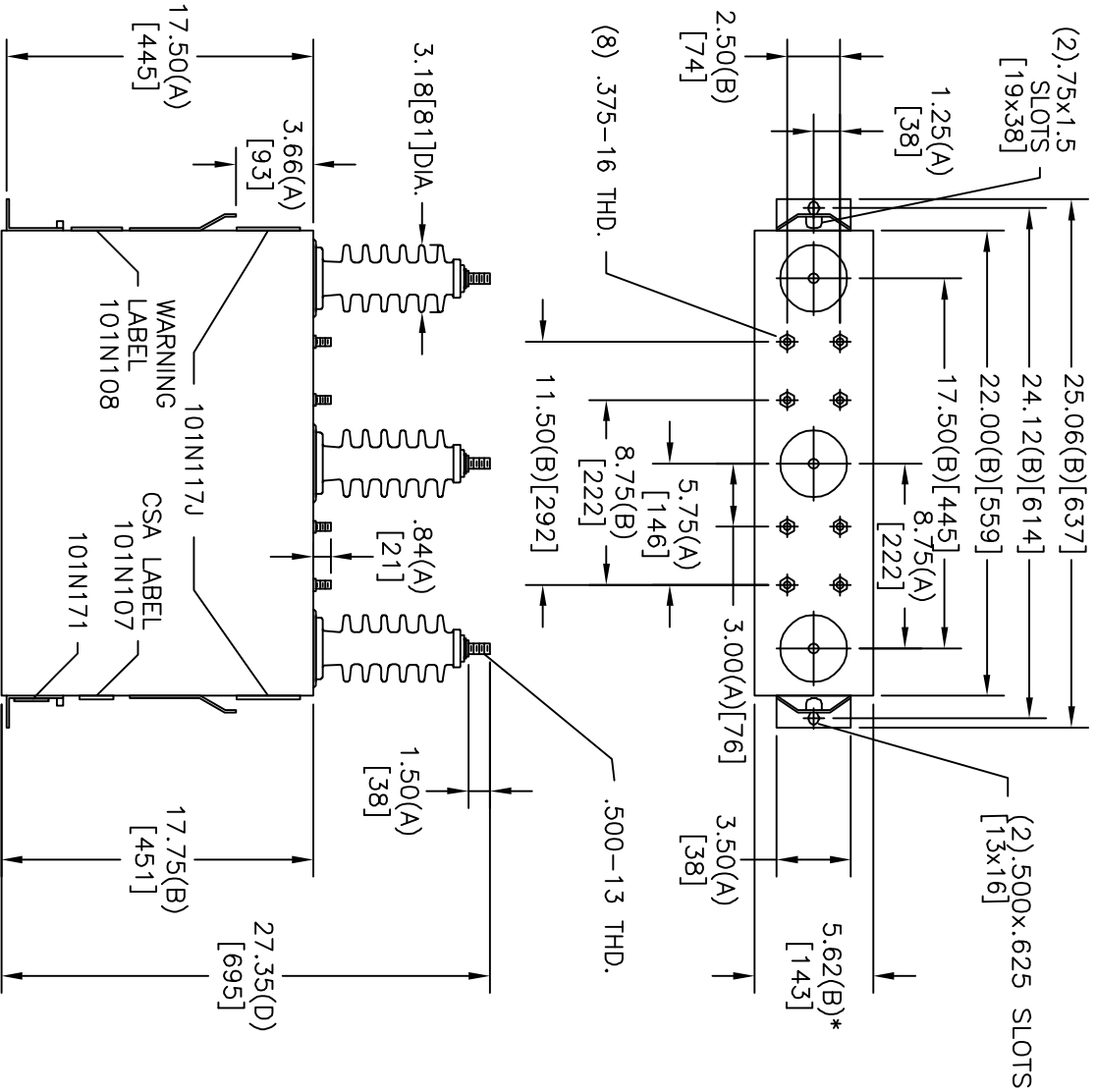
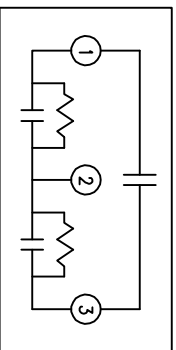


SIZE	DWG NO	SHT	REV
A	16L0287WH3	2	2
REV	DESCRIPTION	DATE	APPROVED
2	ADD SH3	1/28/2007	BTR



TOL	+/-
A	.06
B	.12
C	.18
D	.25

\* UP TO +.50 CASE BULGE



SCHEMATIC DIAGRAM - 304

7200V	3 PH	KV/BIL
250 CAT	60 Hz	
16L0287WH3	SN	
3.5 GAL.		
101N171	MFG DATE	
	READ	GEH - 2743



GE ENERGY  
FORT EDWARD, N.Y., U.S.A.

DRAWN B. ROSS  
ISSUED  
DATE 10/7/2002  
DATE 10/9/2002

SIZE A

SCALE

OUTLINE  
16L0287WH3

SHEET 2 CONT ON 3

DISTR. TO