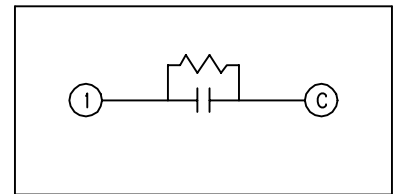
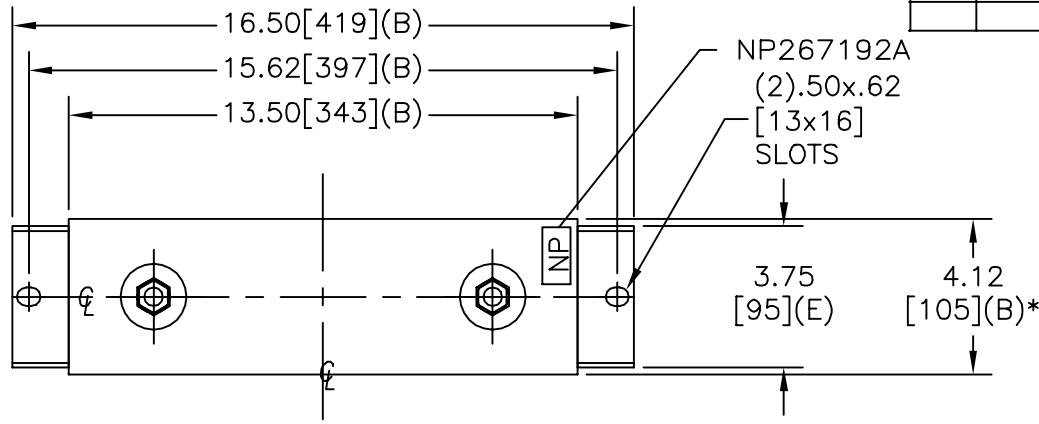
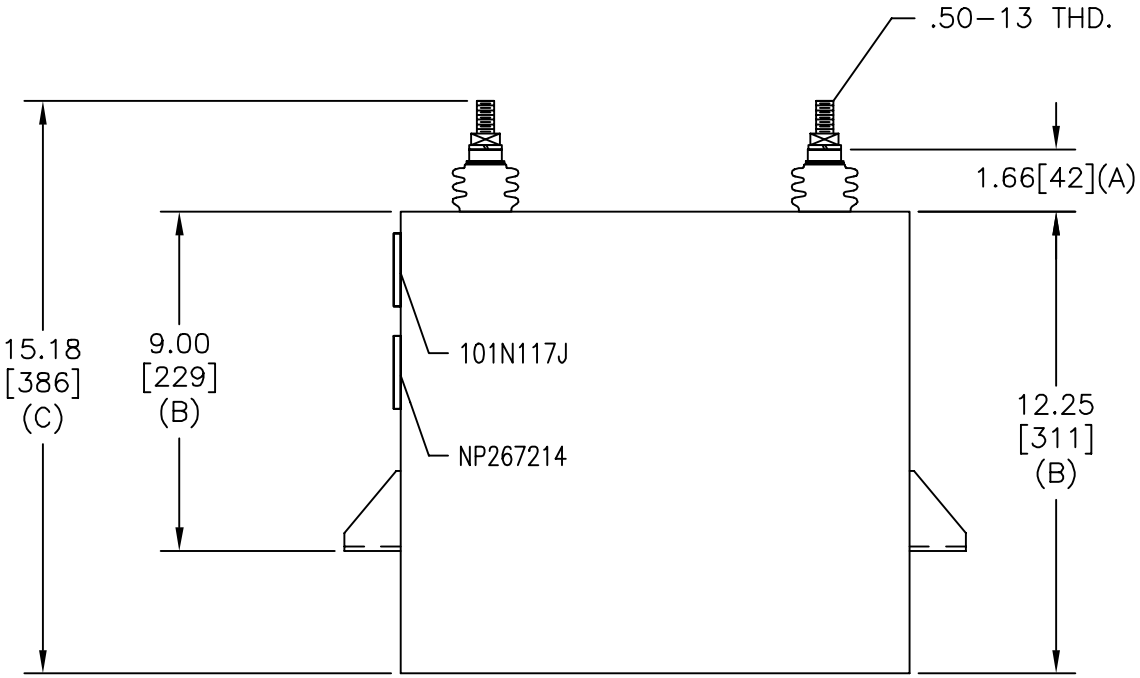


SIZE A	DWG NO 16L0291WH3	SHT 2	REV
REV	DESCRIPTION	DATE	APPROVED

TOL	+/-	BUSH. DIA.
A	.06	1.75[44](B)
B	.12	
C	.18	
D	.50	
E	.04	



SCHEMATIC DIAGRAM - 102



WITH INTERNAL DISCH RESISTORS  
 CAT. 16L0291WH3 SN  
 200KVAR 1000V 500HZ 1PH  
 1.04 GAL. COMBUSTIBLE LIQUID  
 CAUTION! BEFORE INSTALLING OR  
 OPERATING READ GEH-2733  
 NP267214

\* UP TO +.50[13]  
 CASE BULGE

MAX. TERMINAL  
 TIGHTENING TORQUE  
 15 FT-LBS

NP267192A

<b>INDUSTRIAL SYSTEMS</b> FORT EDWARD, N.Y., U.S.A.		SIZE A
DRAWN B. ROSS	DATE OCT. 8, 2002	SCALE
ISSUED	DATE 10/9/02	

**OUTLINE**  
**16L0291WH3**

SHEET 3 CONT ON -

DISTR. TO