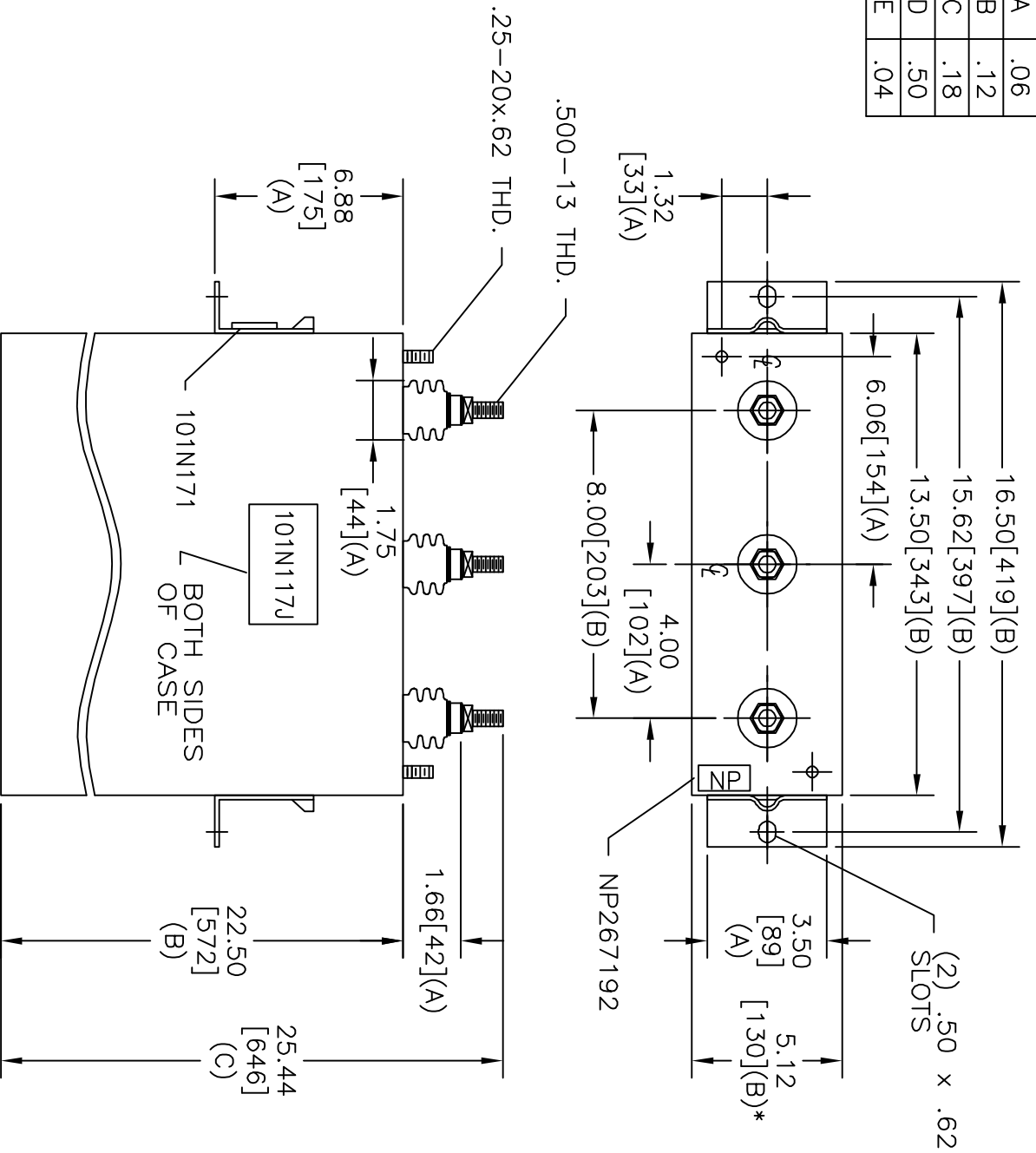


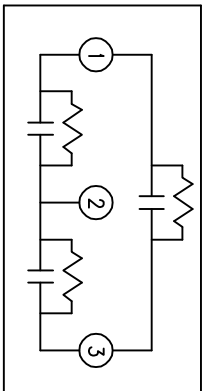
TOL	+/-
A	.06
B	.12
C	.18
D	.50
E	.04



\* UP TO +.50  
CASE BULGE

MAX. TERMINAL  
TIGHTENING TORQUE  
15 FT-LBS

SIZE	DWG NO	SHT	REV
A	16L0298WH3	2	
REV	DESCRIPTION	DATE	APPROVED
			BTR



SCHEMATIC DIAGRAM - 302

480V	3 PH DELTA	30 KVBL
90	KVAR	60 Hz
CAT	16L0298WH3	SN
	2.14 GAL.	
101N171	MFG DATE	READ GEH - 2743

INDUSTRIAL SYSTEMS  
FORT EDWARD, N.Y., U.S.A.

DRAWN B. ROSS  
DATE OCT 20, 2004  
ISSUED DATE 10/27/04

OUTLINE  
16L0298WH3

SHEET 2 CONT ON 3