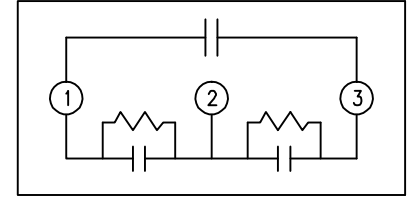
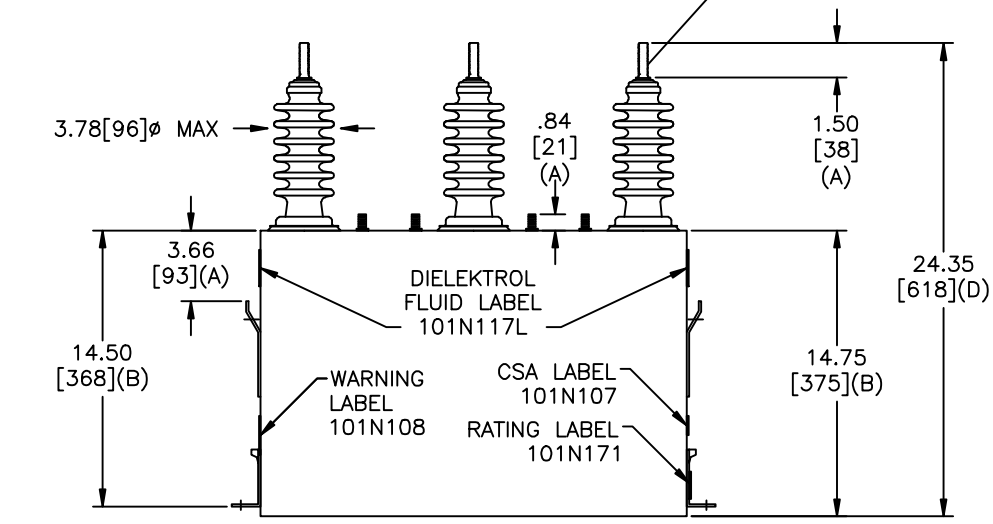
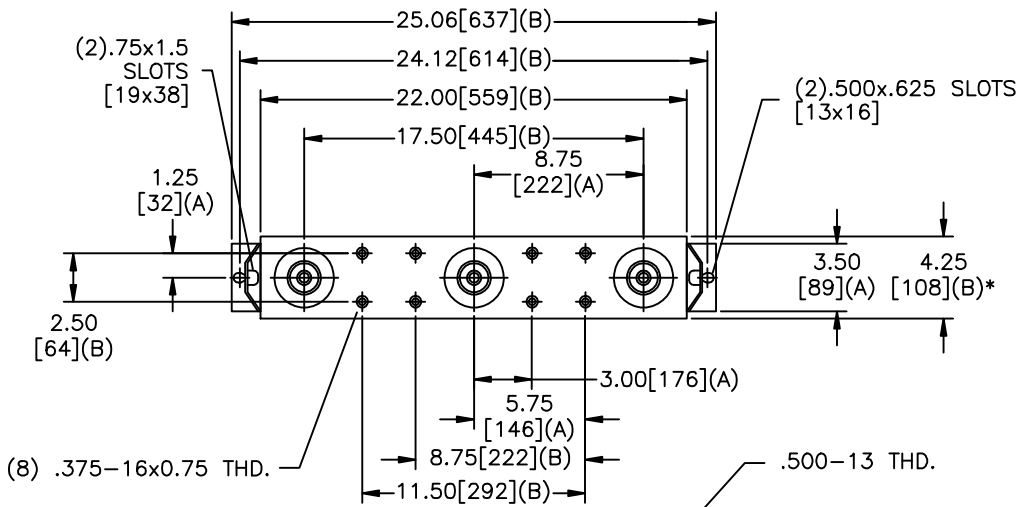


SIZE A	DWG NO 16L0301WH3	SHT 2	REV
REV	DESCRIPTION	DATE	APPROVED

TOL	+/-
A	.06
B	.12
C	.18
D	.25

* UP TO +.75 CASE BULGE



SCHEMATIC DIAGRAM - 304

12470 V 3 PH kVBIL
 100 KVAR 60 Hz
 CAT 16L0301WH3 SN
 1.6 GAL.
 MFG DATE
 101N171 READ GEH- 2743

GE ENERGY FORT EDWARD, N.Y., U.S.A.	SIZE A	EST WT 80/36 LB/KG	<h1>OUTLINE</h1> <h2>16L0301WH3</h2>		DISTR. TO			
	DRAWN B.ROSS					DATE 4/19/2007	SHEET 2	CONT ON 3
	ISSUED					DATE 6/26/2009		