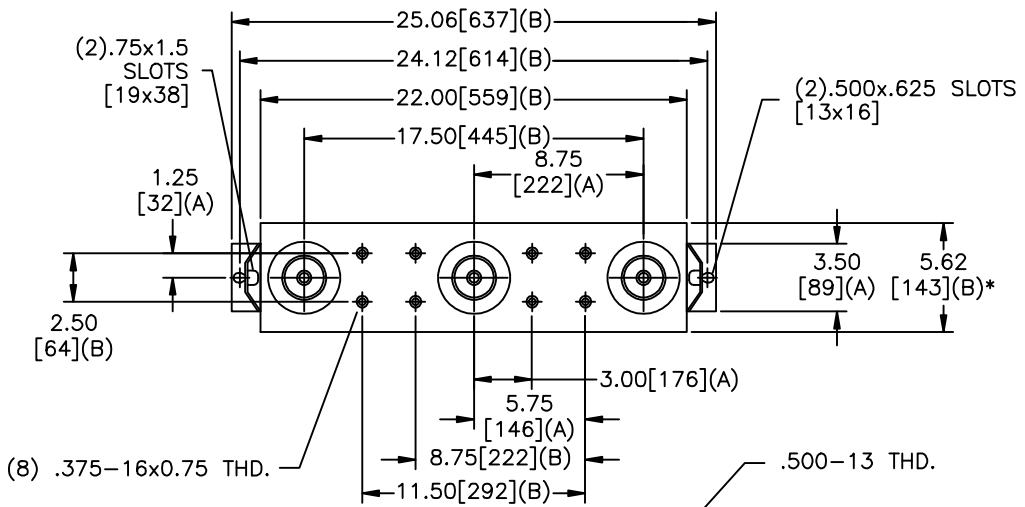
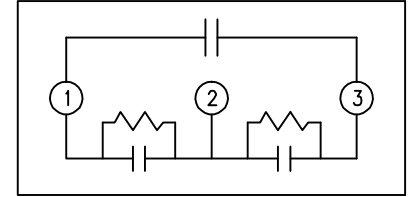
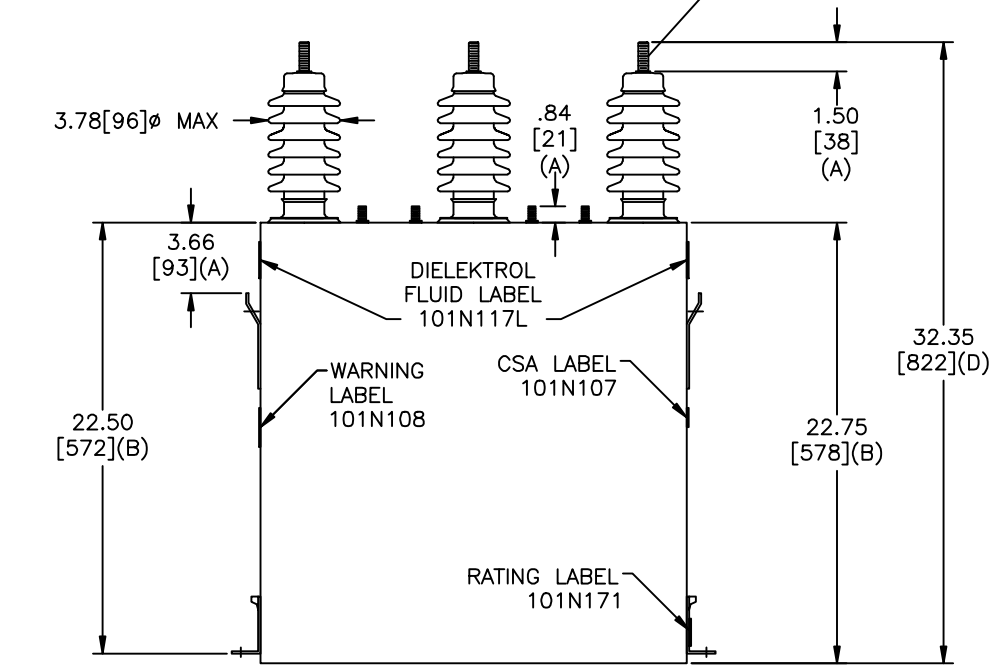


SIZE A	DWG NO 16L0308WH3	SHT 2	REV
REV	DESCRIPTION	DATE	APPROVED



TOL	+/-
A	.06
B	.12
C	.18
D	.25

* UP TO +.75 CASE BULGE



SCHEMATIC DIAGRAM - 304

12470 V 3 PH kVBIL
 450 KVAR 60 Hz
 CAT 16L0308WH3 SN
 3.4 GAL.
 MFG DATE
 101N171 READ GEH- 2743

GE ENERGY FORT EDWARD, N.Y., U.S.A.	SIZE A	EST WT 163/74 LB/KG	<h1>OUTLINE</h1> <h2>16L0308WH3</h2>	DISTR. TO
	DRAWN B.ROSS DATE 4/20/2007 ISSUED DATE 3/19/2009			