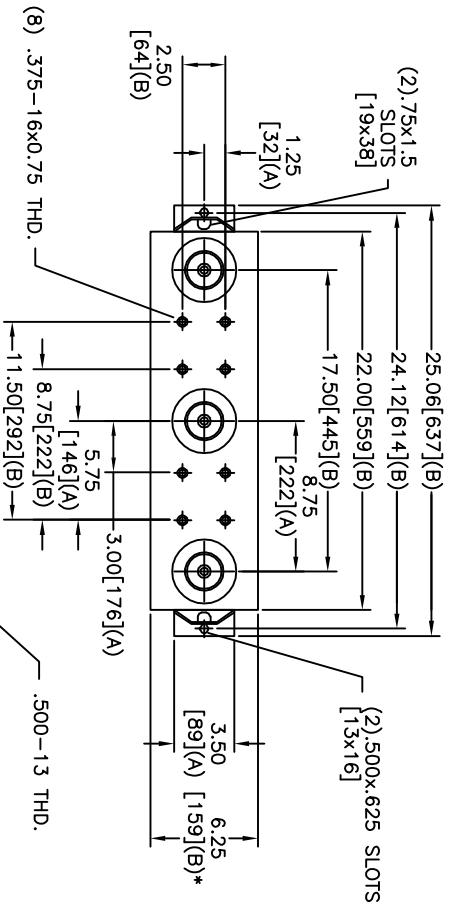
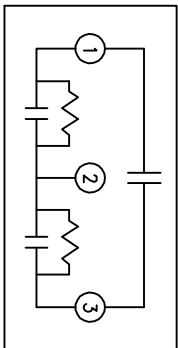


SIZE	DWG NO	SHT	REV
A	16L0309WH3	2	2
REV	DESCRIPTION	DATE	APPROVED
2	101N117L WAS J	4/20/2007	BTR



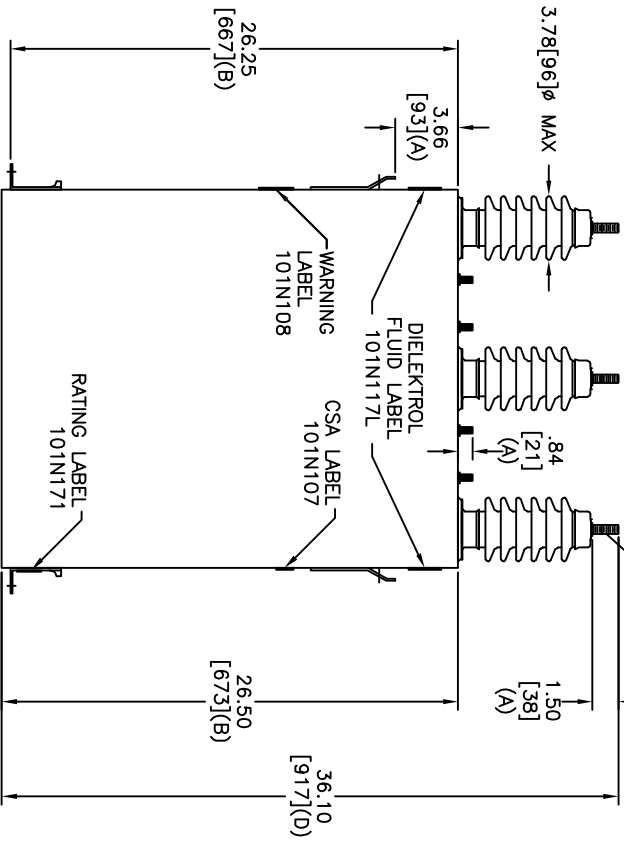
TOL	+/-
A	.06
B	.12
C	.18
D	.25

\* UP TO +.75 CASE BULGE



SCHEMATIC DIAGRAM - 304

12470 V	3 PH	KVBIL
500 KVAR	60 HZ	
CAT 16L0309WH3	SN	
5.00 GAL.	MFG DATE	
101N1171	READ DATE	GEH - 2743



<b>GE ENERGY</b> <b>FORT EDWARD, N.Y., U.S.A.</b>		SIZE	A
DRAWN	B. ROSS	DATE	9/4/2003
ISSUED		DATE	9/10/2003
EST WT 218/99 LB/KG		SCALE	
<b>OUTLINE</b> <b>16L0309WH3</b>		SHEET	2
		CONT	3

DISTR. TO