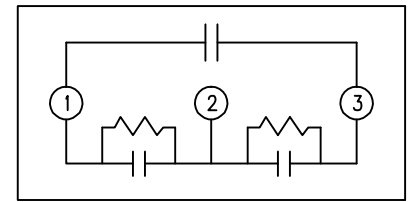
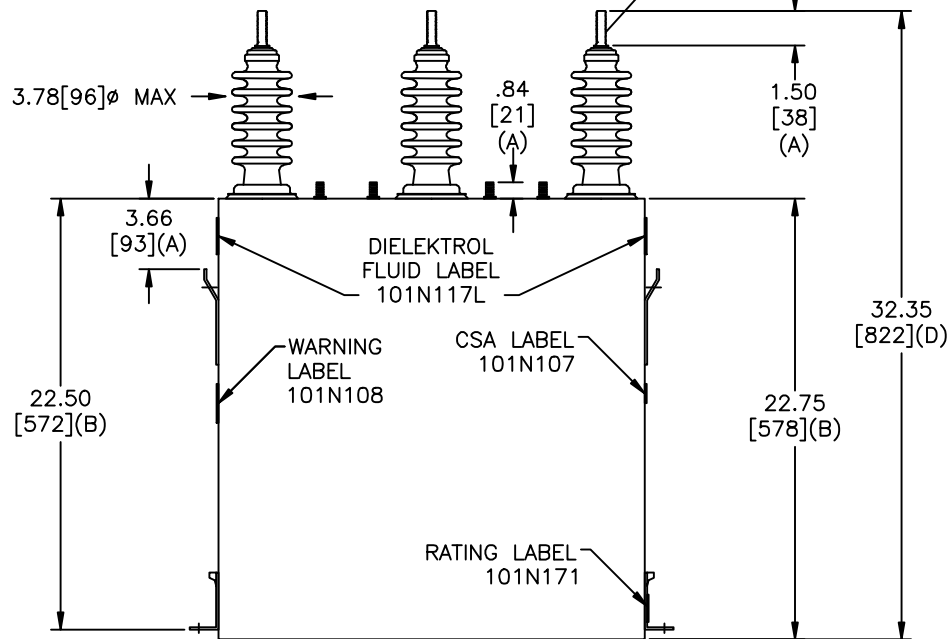
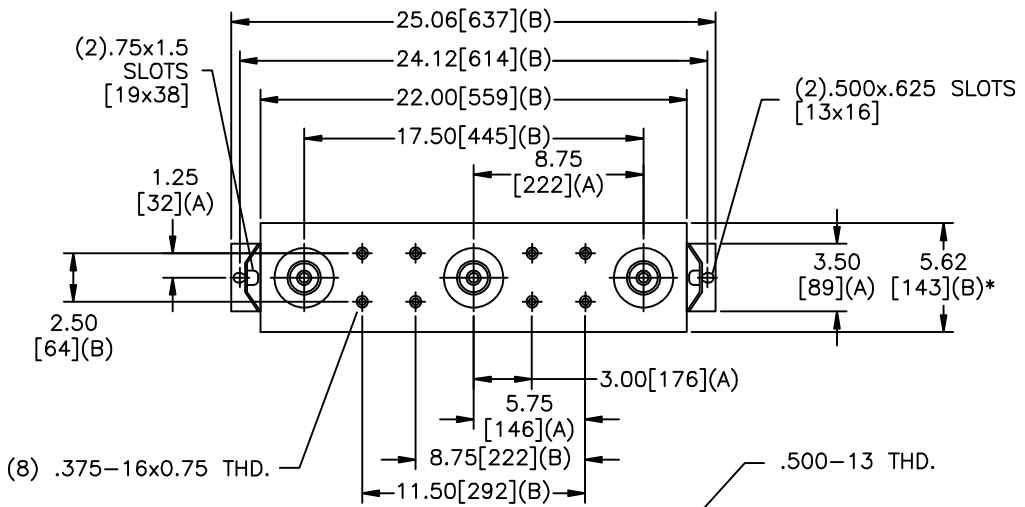


SIZE A	DWG NO 16L0318WH3	SHT 2	REV
REV	DESCRIPTION	DATE	APPROVED

TOL	+/-
A	.06
B	.12
C	.18
D	.25

* UP TO +.75 CASE BULGE



SCHEMATIC DIAGRAM - 304

13800 V 3 PH kVBIL
 450 KVAR 60 Hz
 CAT 16L0318WH3 SN
 3.4 GAL.
 MFG DATE
 101N171 READ GEH- 2743

GE ENERGY FORT EDWARD, N.Y., U.S.A.	SIZE A	EST WT 163/74 LB/KG	<h1>OUTLINE</h1> <h2>16L0318WH3</h2>	
	DRAWN B.ROSS DATE 4/19/2007			SCALE
	ISSUED DATE 6/26/2009			

SHEET 2 CONT ON 3	DISTR. TO
-------------------------------------	-----------