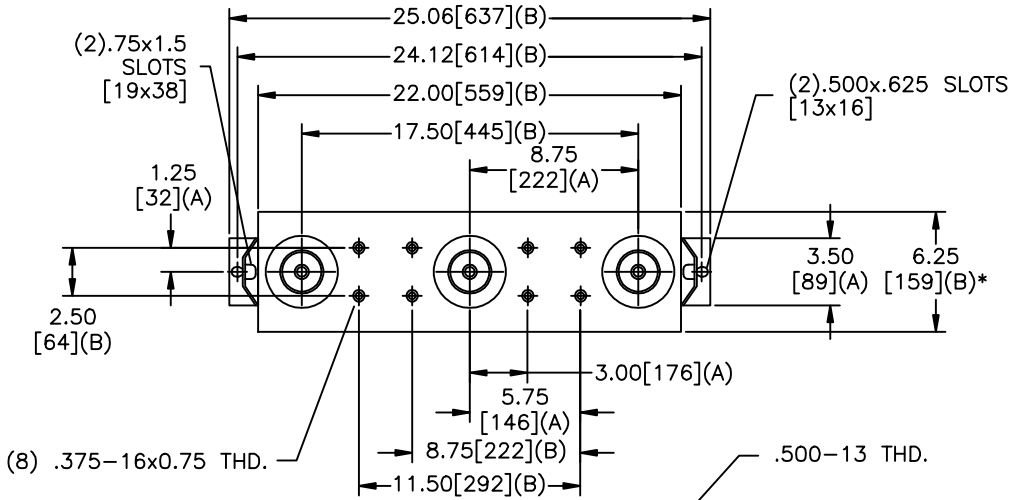
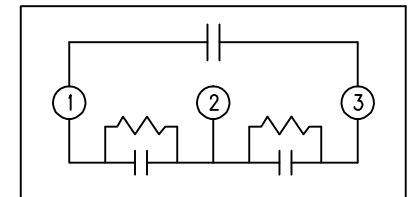


SIZE A	DWG NO 16L0319WH3	SHT 2	REV 2
REV 2	DESCRIPTION 101N117L WAS J	DATE 5/21/2007	APPROVED BTR

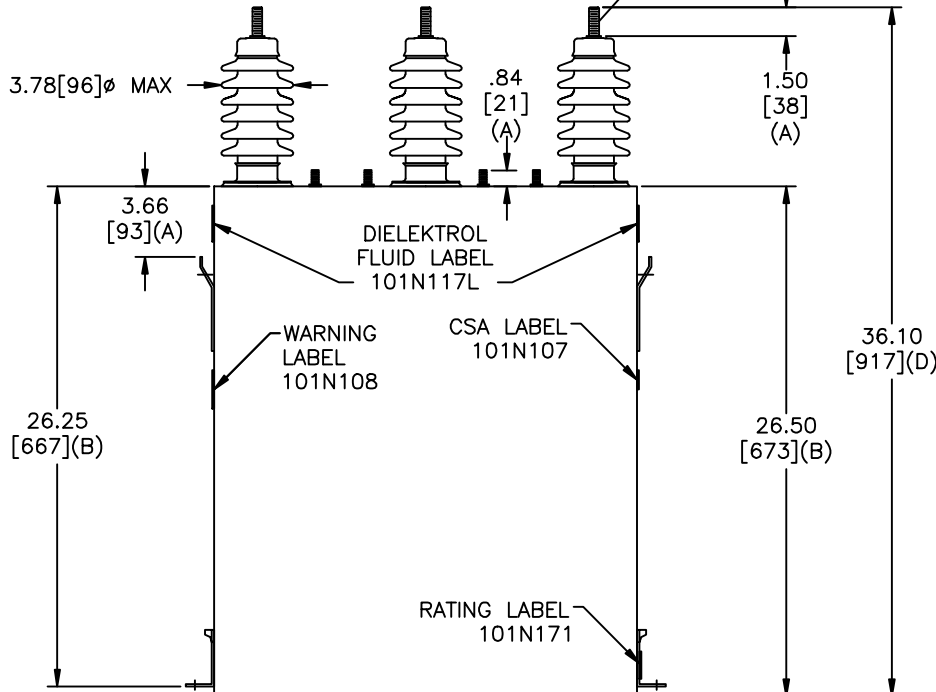


TOL	+/-
A	.06
B	.12
C	.18
D	.25

* UP TO +.75 CASE BULGE



SCHEMATIC DIAGRAM - 304



13800 V 3 PH kVBIL
500 KVAR 60 Hz
CAT 16L0319WH3 SN
5.00 GAL.
MFG DATE
101N171 READ GEH- 2743

GE ENERGY FORT EDWARD, N.Y., U.S.A.		SIZE A	EST WT 218/99 LB/KG	OUTLINE 16L0319WH3
DRAWN B.ROSS	DATE 7/28/2006	SCALE		
ISSUED	DATE 7/28/2006	SHEET 2	CONT ON 3	DISTR. TO