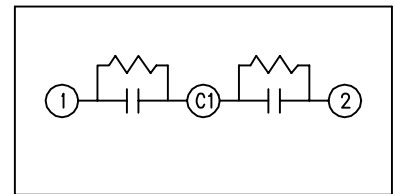
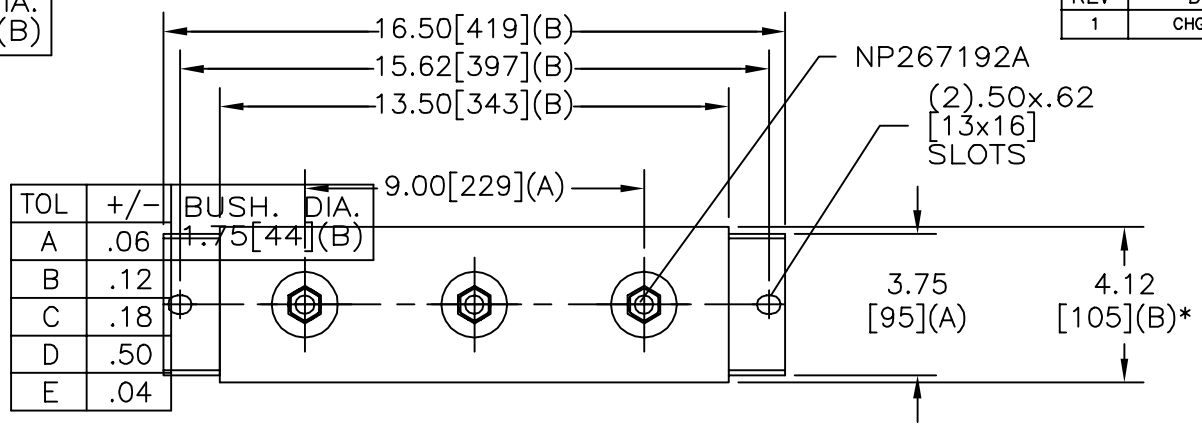
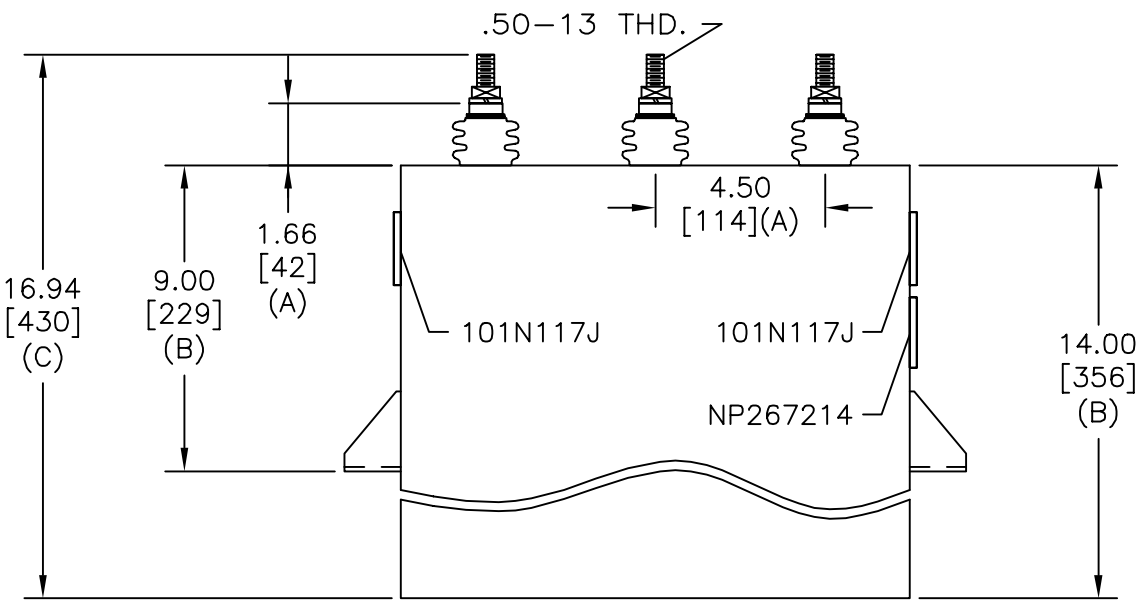


SIZE A	DWG NO 16L0320WH3	SHT 2	REV 1
REV 1	DESCRIPTION CHG NP WITH RES	DATE 9/24/03	APPROVED BTR

TOL	+/-	BUSH. DIA.
A	.06	1.75[44](B)
B	.12	
C	.18	
D	.50	
E	.04	



SCHEMATIC DIAGRAM - 227



WITH INTERNAL DISCH RESISTORS  
 CAT. 16L0320WH3 SN  
 200KVAR 3000V 300HZ 1PH  
 2x5.89 UF/TAP  
 0.93 GAL. COMBUSTIBLE LIQUID  
 CAUTION! BEFORE INSTALLING OR  
 OPERATING READ GEH-2743

NP267214

\* UP TO +.50[13]  
 CASE BULGE

MAX. TERMINAL  
 TIGHTENING TORQUE  
 15 FT-LBS

NP267192A

<b>INDUSTRIAL SYSTEMS</b> FORT EDWARD, N.Y., U.S.A.	SIZE A
	SCALE
DRAWN B. ROSS	DATE JUN 26, 2003
ISSUED	DATE 7/23/03

<b>OUTLINE</b> <b>16L0320WH3</b>	
SHEET 2	CONT ON -

DISTR. TO