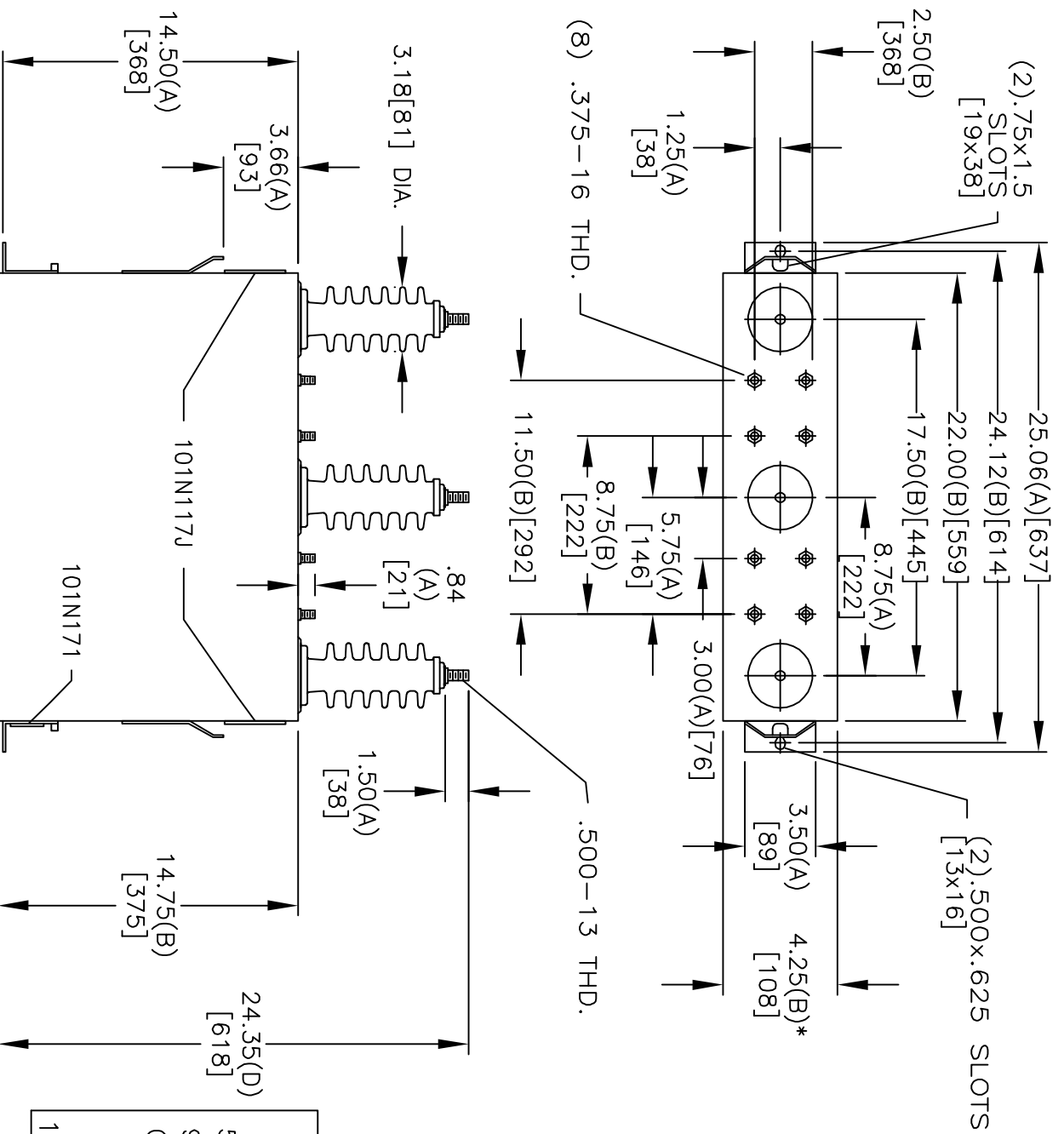


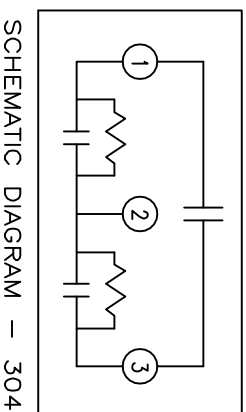
SIZE	DWG NO	SHT	REV
A	16L341WH3	2	
REV	DESCRIPTION	DATE	APPROVED



(2) .500x.625 SLOTS
[13x16]

TOL	+/-
A	.06
B	.12
C	.18
D	.25

* UP TO +.50 CASE BULGE



5500 VOLTS 3 PH KVBIL
90 KVAR 50 Hz
CAT 16L0341WH3 SN
2.2 GAL.
MFG DATE
101N171 READ GEH-2743

INDUSTRIAL SYSTEMS
FORT EDWARD, N.Y., U.S.A.

DRAWN E. McGinn
DATE 6-14-05
ISSUED DATE 6/29/05

SIZE A
SCALE
OUTLINE
16L0341WH3
SHEET 2 CONT ON