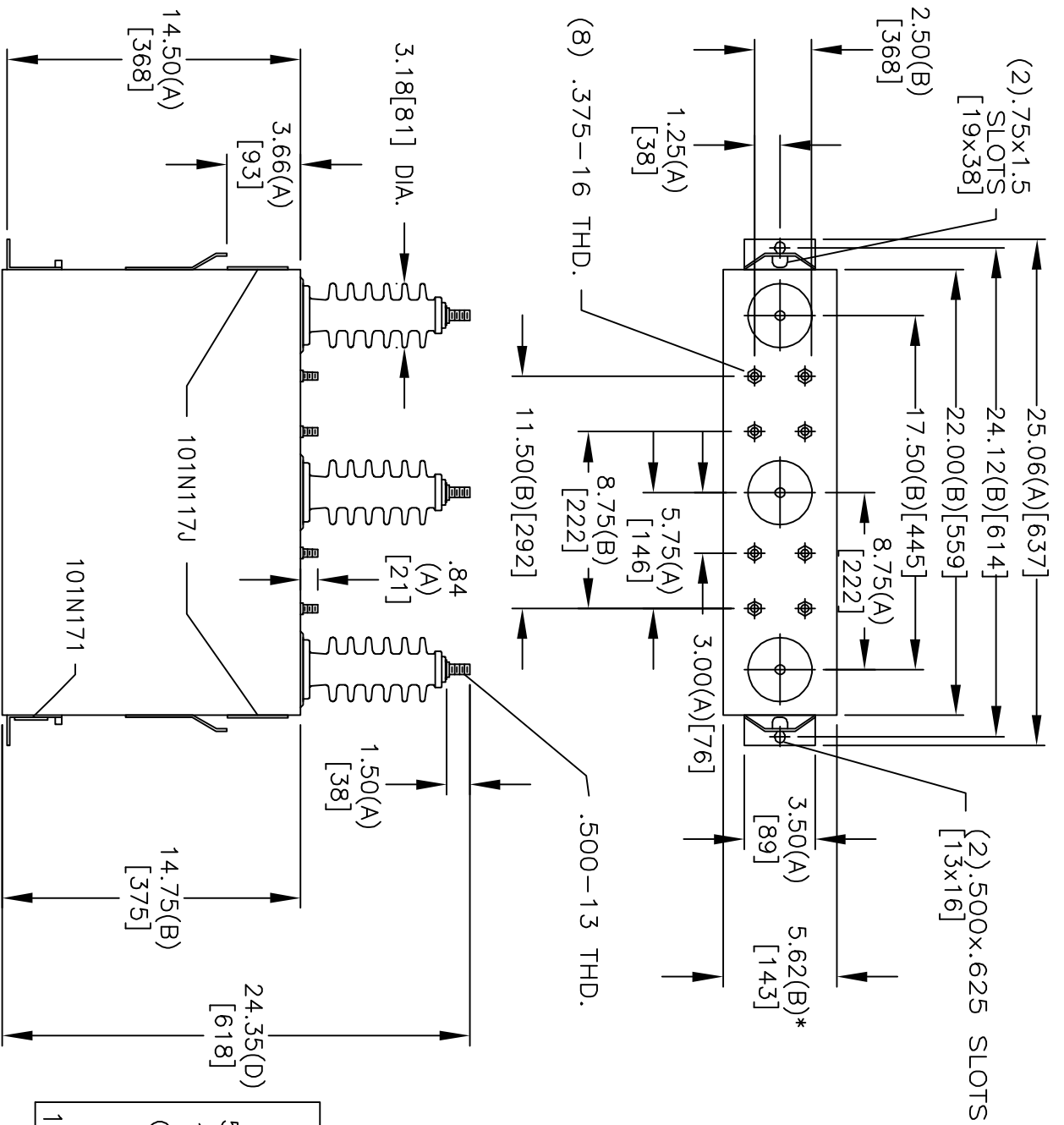
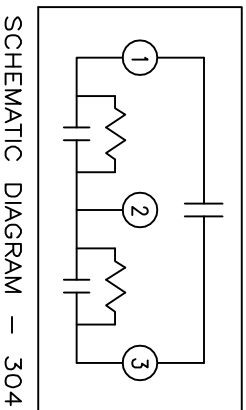


SIZE	DWG NO	SHT	REV
A	16L344WH3	2	
REV	DESCRIPTION	DATE	APPROVED



TOL	+/-
A	.06
B	.12
C	.18
D	.25

* UP TO +.50 CASE BULGE



5500 VOLTS	3 PH	KVBIL
165 KVAR	50 Hz	
CAT 16L0344WH3	SN	
2.98 GAL.		
MFG DATE	READ	GEH-2743
101N171		



INDUSTRIAL SYSTEMS
FORT EDWARD, N.Y., U.S.A.

SIZE
A

DRAWN E. McGinn

DATE 6-14-05

SCALE

OUTLINE
16L0344WH3

ISSUED

DATE 6/29/05

SCALE

SHEET 2 CONT 3