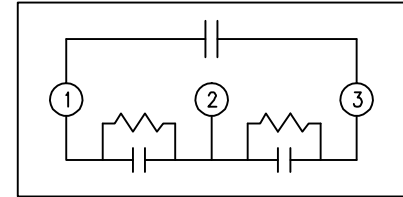
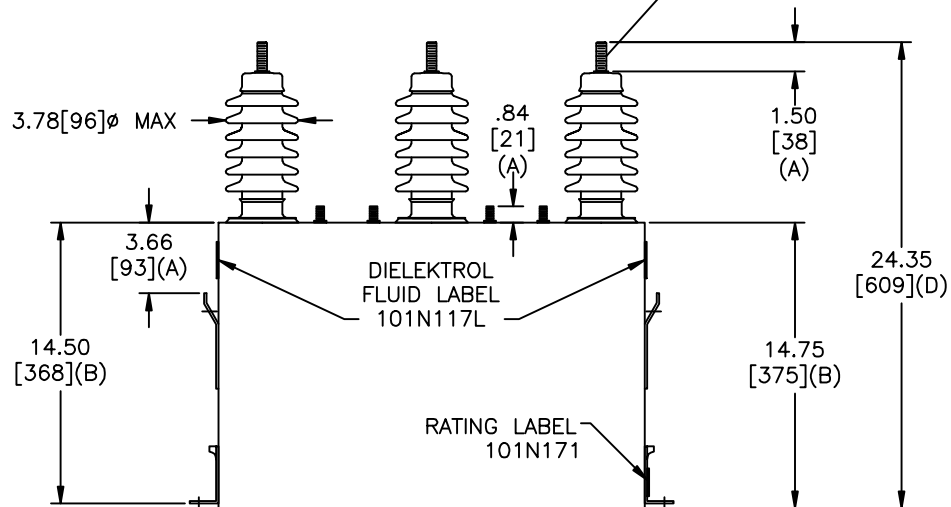
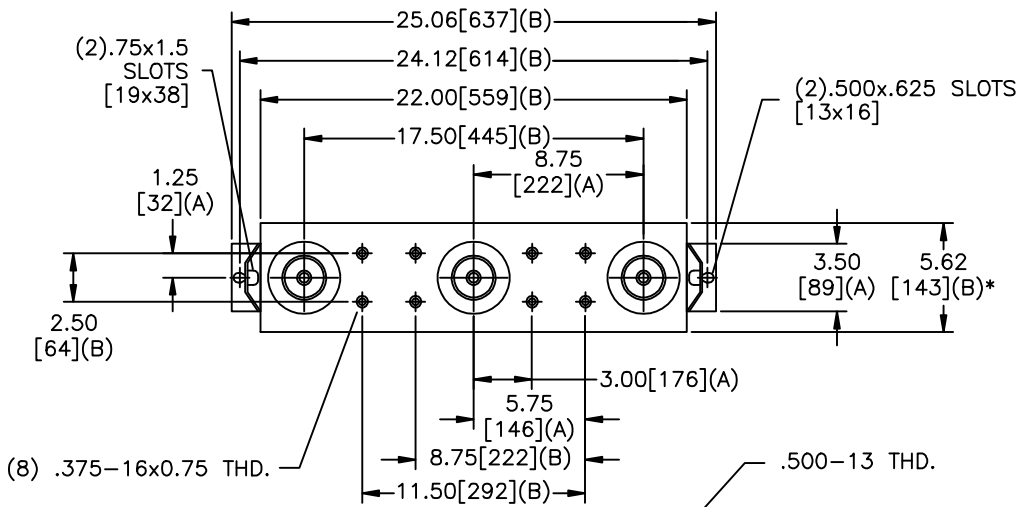


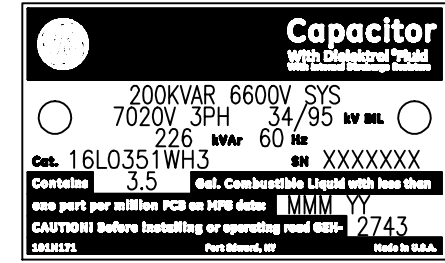
SIZE A	DWG NO 16L0351WH3	SHT 2	REV
REV	DESCRIPTION	DATE	APPROVED

TOL	+/-
A	.06
B	.12
C	.18
D	.25

\* UP TO +.75 CASE BULGE



SCHEMATIC DIAGRAM - 304



101N171 Rating Plate

<b>GE ENERGY</b> FORT EDWARD, N.Y., U.S.A.	SIZE A	EST WT 102/46 LB/KG	<b>OUTLINE</b> <b>16L0351WH3</b>	DISTR. TO			
	DRAWN B.ROSS				DATE 5/8/2007	SHEET 2	CONT ON 3
	ISSUED				DATE		