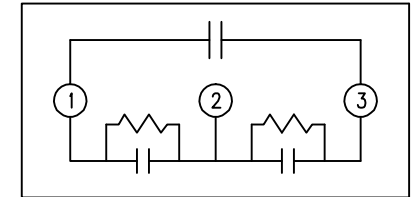
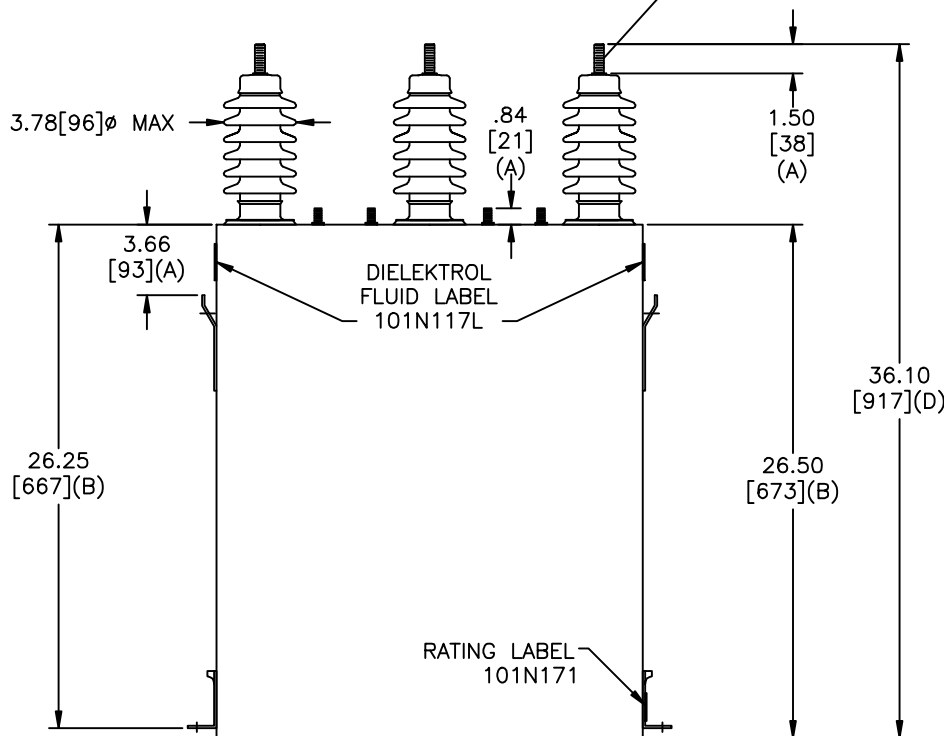
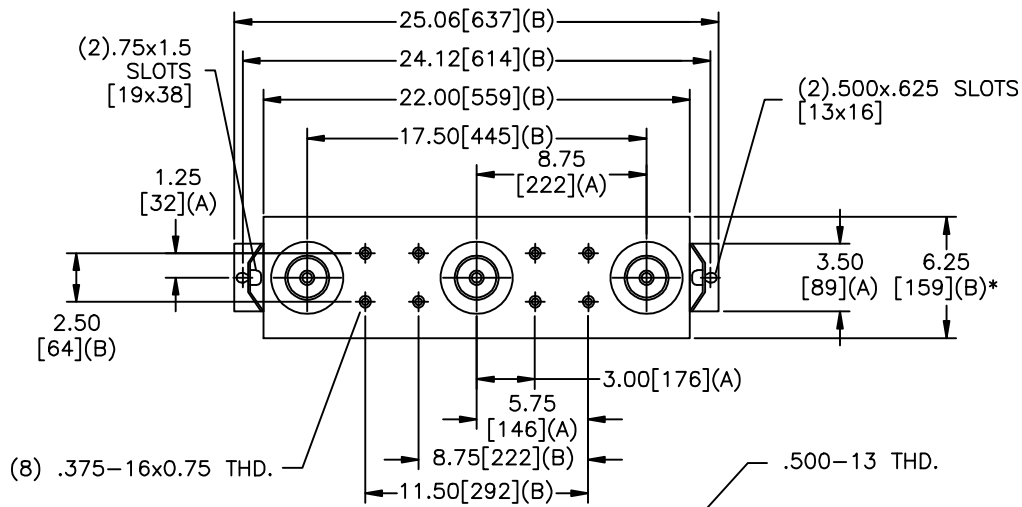


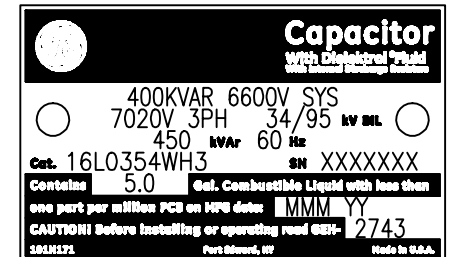
SIZE A	DWG NO 16L0354WH3	SHT 2	REV
REV	DESCRIPTION	DATE	APPROVED

TOL	+/-
A	.06
B	.12
C	.18
D	.25

* UP TO +.75 CASE BULGE



SCHEMATIC DIAGRAM -- 304



101N171 Rating Plate

<p>GE ENERGY FORT EDWARD, N.Y., U.S.A.</p>	SIZE A	EST WT 218/99 LB/KG	<p>OUTLINE 16L0354WH3</p>				
	DRAWN B.ROSS				DATE 5/8/2007	SHEET 2	CONT ON 3
	ISSUED				DATE		

DISTR. TO