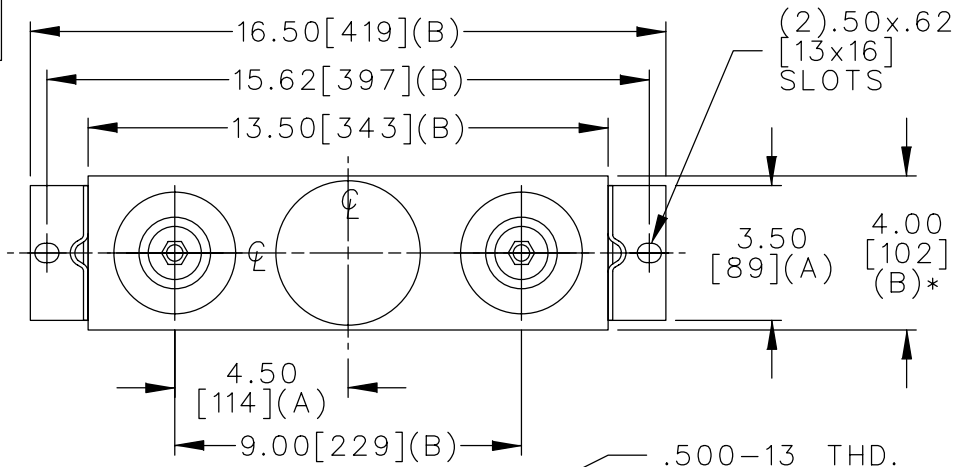
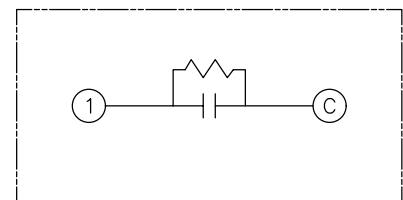
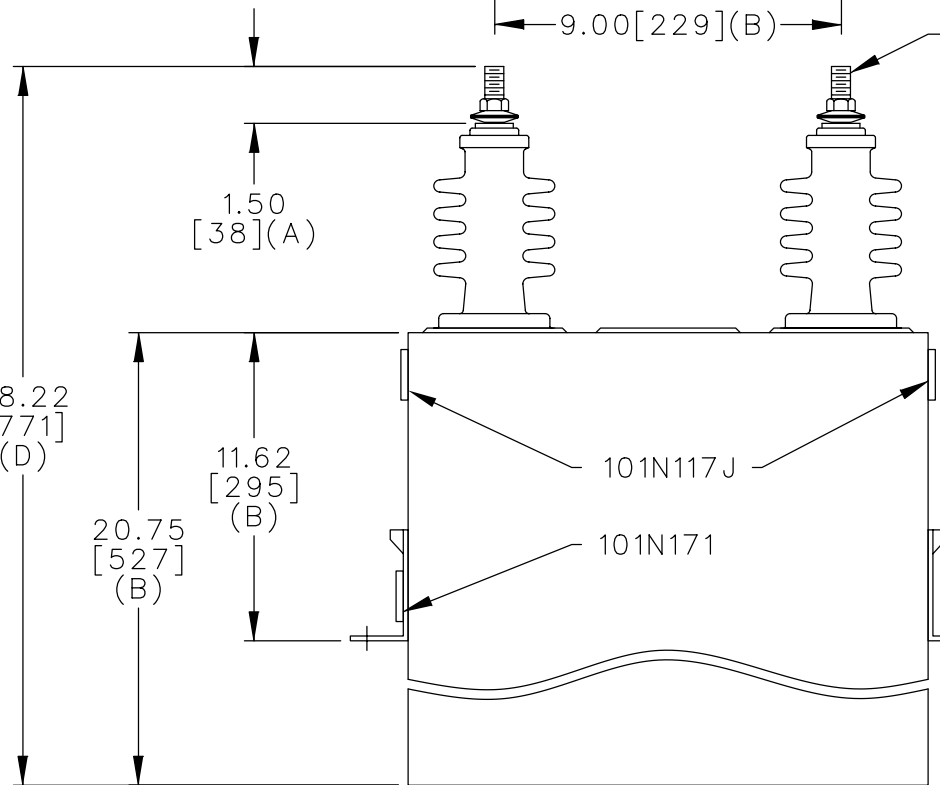


TOL	+/-	BUSH DIA
A	.06	3.12[79](B)
B	.12	
C	.18	
D	.25	
E	.04	



SIZE	DWG NO.	SH	REV
A	16L0379WH3		
REV 1	McGINN UPDATE CAT NO		DATE



SCHEMATIC DIAGRAM - 102

2600V 1 PH
 150KVAR 60Hz KVBIL
 CAT. 16L0379WH3
 1.6 GAL.
 MFG DATE
 101N171 READ GEH-2743

UNPAINTED AREA
 UNDER BOTH
 BRACKETS FOR
 GROUNDING.

* UP TO +.50
 CASE BULGE

	CAPACITOR & POWER PROTECTION FORT EDWARD, N.Y., U.S.A.		SIZE A	OUTLINE 16L0379WH3	SHEET 2 CONT. 3
	DRAWN TMO	FEB 27, 1997			
ISSUED	3-5-97	DISTR TO			