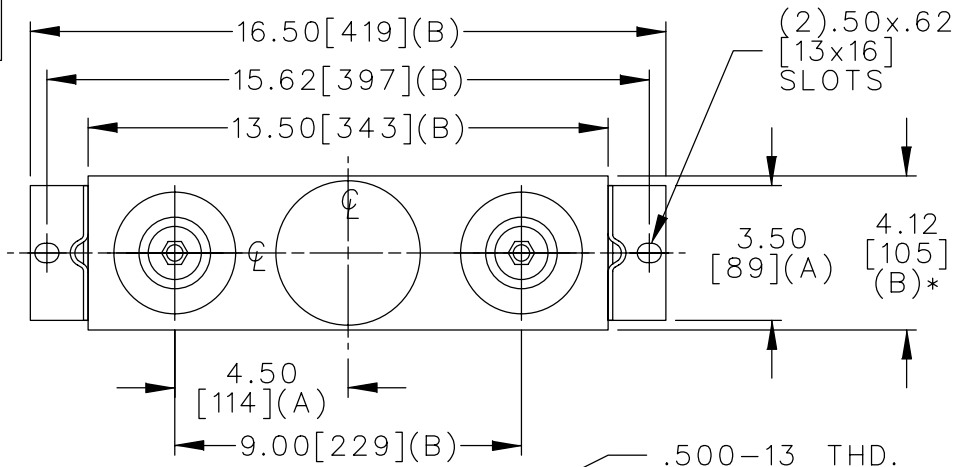
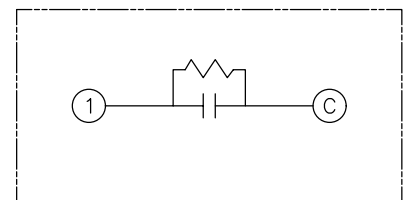
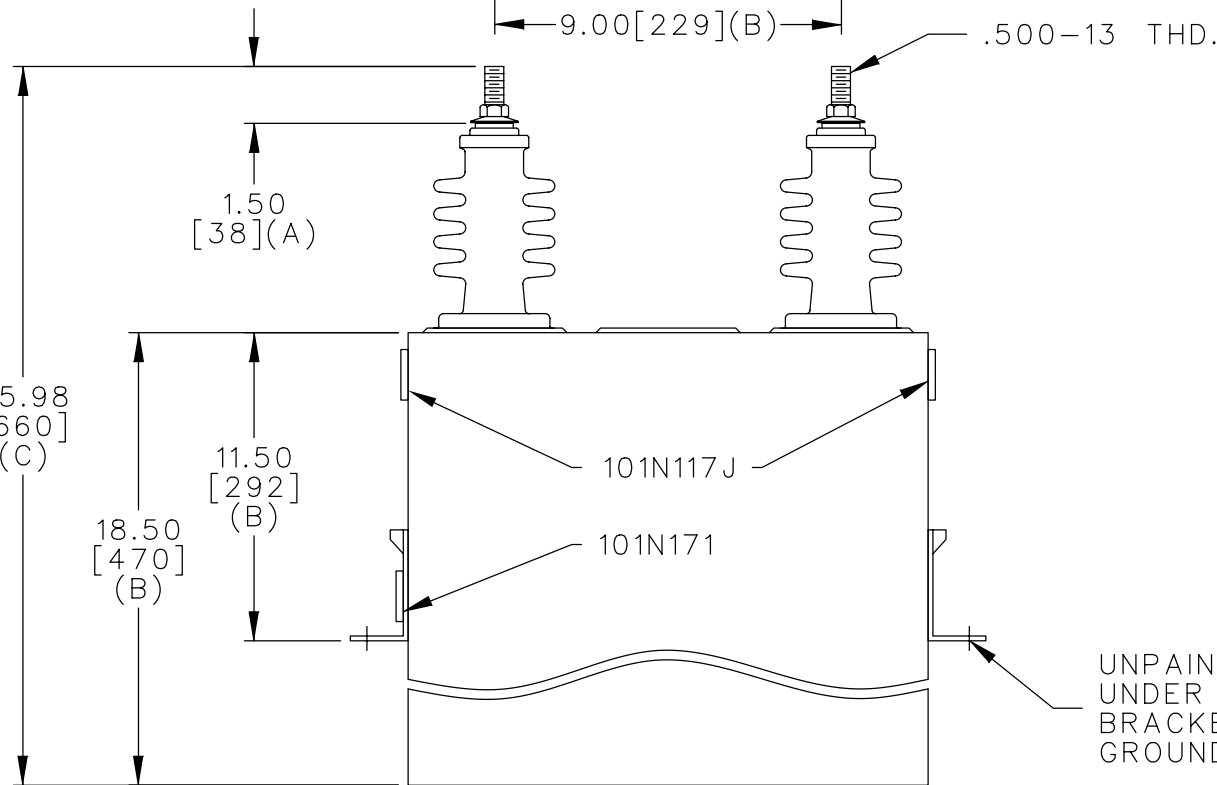


TOL	+/-	BUSH DIA
A	.06	3.12[79](B)
B	.12	
C	.18	
D	.25	
E	.04	



SIZE	DWG NO.	SH	REV
A	16L0387WH3		
REV	1	McGINN UPDATE CAT NO	DATE



SCHEMATIC DIAGRAM - 102

2800V 1 PH
 150KVAR 60Hz KVBIL
 CAT. 16L0387WH3
 1.55 GAL.
 MFG DATE
 101N171 READ GEH-2743

* UP TO +.50[13] CASE BULGE

	CAPACITOR & POWER PROTECTION FORT EDWARD, N.Y., U.S.A.		SIZE A	OUTLINE 16L0387WH3		SHEET 2 CONT. ON -
	DRAWN E.McGINN	DEC. 19, 1996		SCALE	DISTR TO	
ISSUED	1-8-97		SCALE	SHEET 2 CONT. ON -		DISTR TO