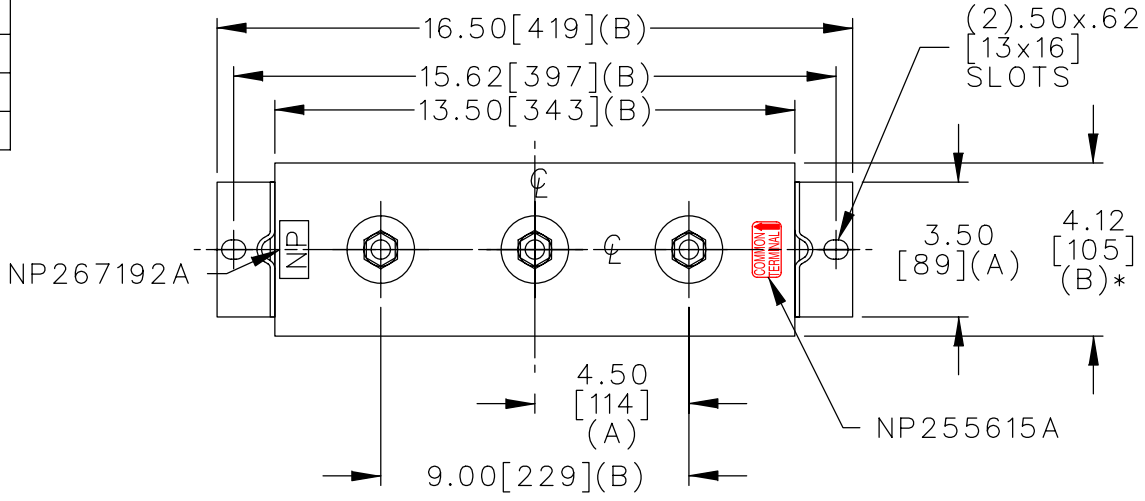
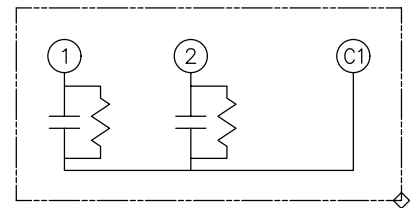


SIZE A	DWG NO. 16L0389WH3	SH 2	REV
REV			

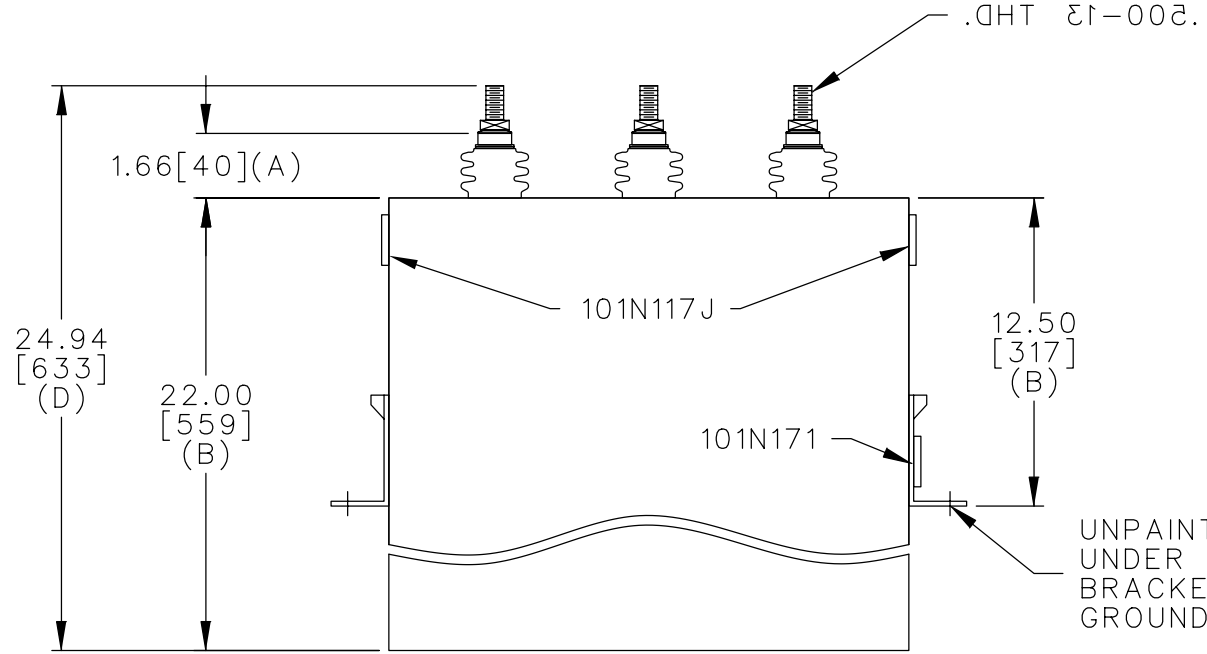
TOL	+/-	BUSH. DIA.
A	.06	1.75[44](A)
B	.12	
C	.18	
D	.25	
E	.03	



TERM	uF	kVAR
1	165.8	90
2	165.8	90



SCHEMATIC DIAGRAM - 212



2 x 90 KVAR
 1200V 1 PH
 180KVAR 60Hz KVBIL
 CAT. 16L0389WH3
 2.0 GAL.
 MFG DATE
 101N171 READ GEH-2743

* UP TO +.50[13] CASE BULGE

MAX. TERMINAL TIGHTENING TORQUE 15 FT-LBS

NP267192A

 CAPACITOR & POWER PROTECTION FORT EDWARD, N.Y., U.S.A.	SIZE A	FSCM NO.	<h1>OUTLINE</h1> <h2>16L0389WH3</h2>	DISTR TO
	DRAWN E.McGINN NOV. 14, 2000 ISSUED	SCALE		