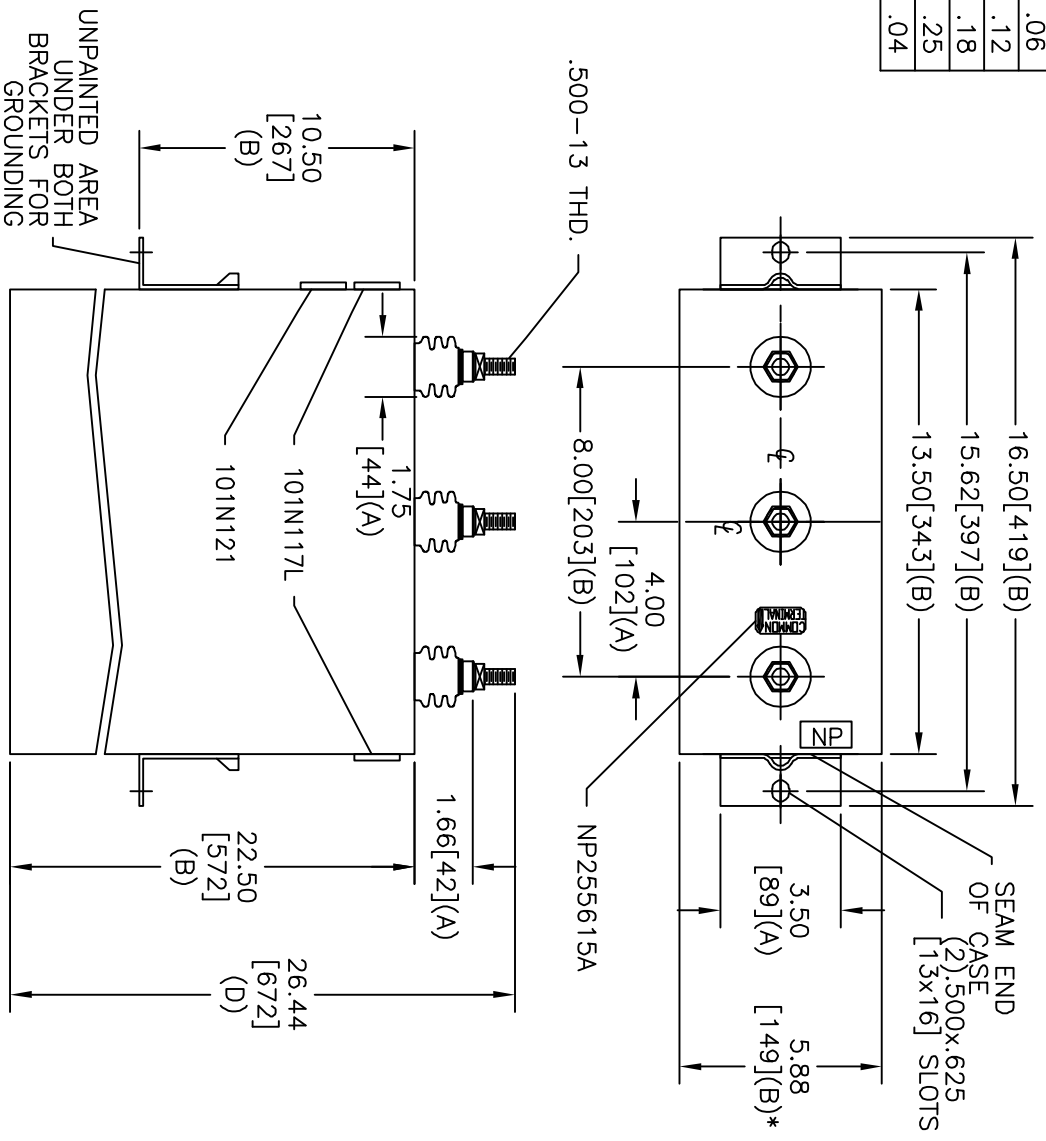
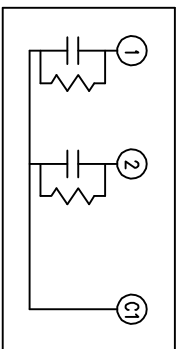


TOL	+/-
A	.06
B	.12
C	.18
D	.25
E	.04



TERM	UF	KVAR
1	300.9	37.5
2	300.9	37.5



SCHEMATIC DIAGRAM - 212

2x37.5 KVAR/TAP	1 PH	KVBIL
575 V	60 HZ	
75 CAT	16L0408WH3 SN	
2.5 GAL.	MFG DATE	
101N171	READ GEH-2743	

* UP TO +.50[13]
CASE BULGE

MAX. TERMINAL
TIGHTENING TORQUE
15 FT-LBS

SIZE	DWG NO	SHT	REV
A	16L0408WH3	2	3
REV	DESCRIPTION	DATE	APPROVED
3	CHG TO EXPF	3/12/2007	BTR

		GE ENERGY FORT EDWARD, N.Y., U.S.A.	
DRAWN	E. McGinn	DATE	7/15/1996
ISSUED		DATE	7/17/1996

SIZE	A		
SCALE		SHEET	2
		CONT	3
OUTLINE			
16L0408WH3			

DISTR. TO