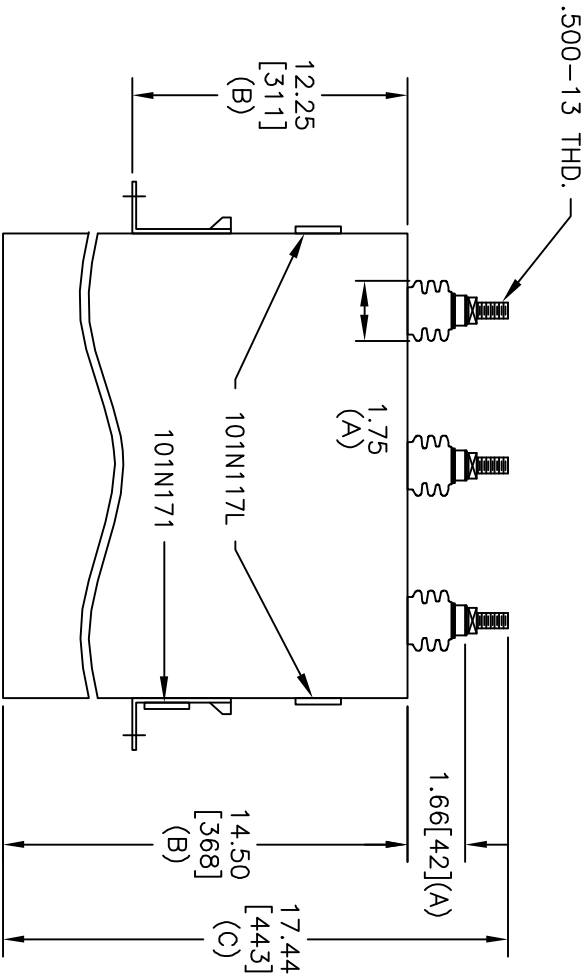
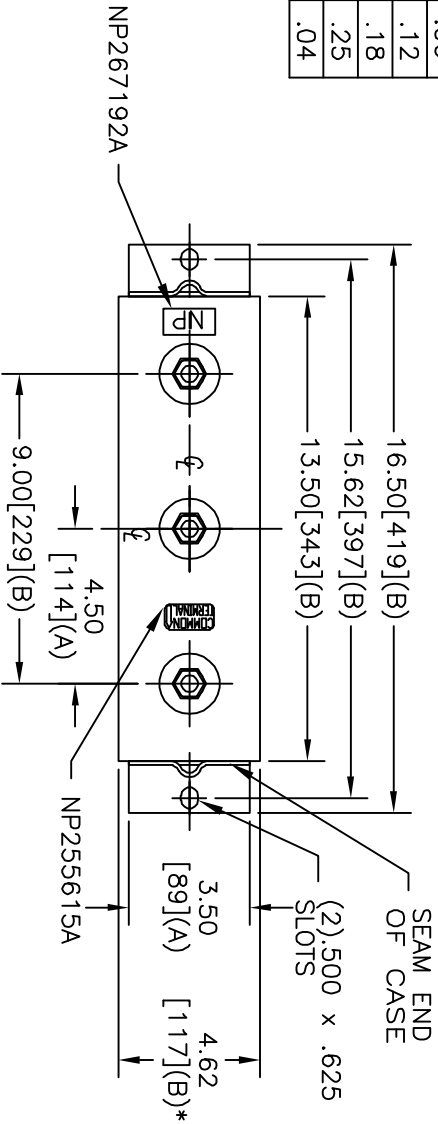
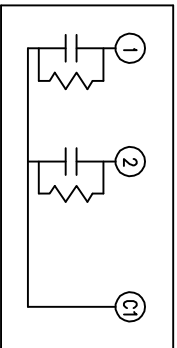


TOL	+/-
A	.06
B	.12
C	.18
D	.25
E	.04



REV	DESCRIPTION	DATE	APPROVED
A	19LO418WH3		
2	HT WAS 14"	2/12/2007	BTR

TERM	UF	KVAR
1	282.5	45
2	282.5	45



SCHEMATIC DIAGRAM - 212

650 V	1 PH	KVBIL
90 KVAR	60 Hz	
CAT 16LO418WH3	SN	
1.28 GAL.		
MFG DATE		
101N171	READ	GEH - 2743

* UP TO +.50 CASE BULGE

MAX. TERMINAL TIGHTENING TORQUE 15 FT-LBS

NP267192A



GE ENERGY
FORT EDWARD, N.Y., U.S.A.

DRAWN B. ROSS

ISSUED

DATE 6/20/2001

DATE 6/27/2001

SIZE A

SCALE

OUTLINE
16LO418WH3

SHEET 2 CONT 3

DISTR. TO