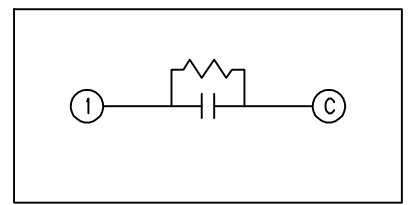
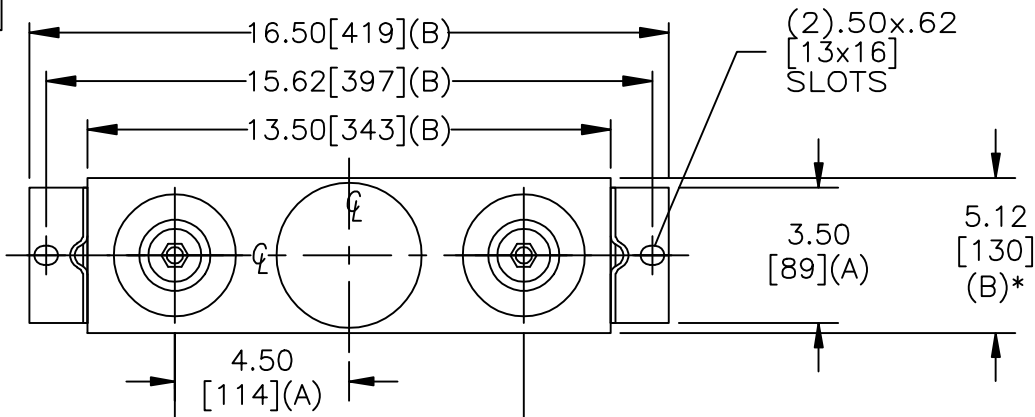
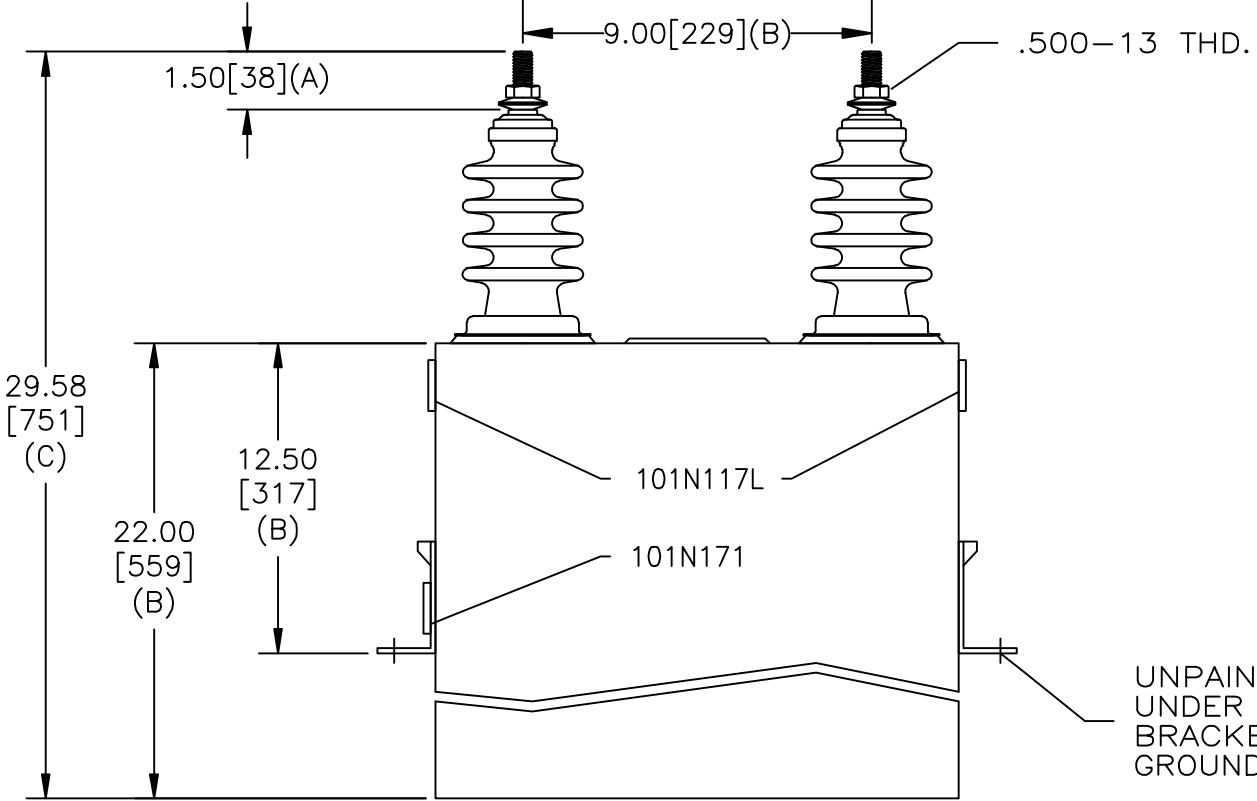


SIZE A	DWG NO 16L0423WH3	SHT 2	REV 3
REV 3	DESCRIPTION UPDATE	DATE 9/22/2009	APPROVED BTR

TOL	+/-	BUSH DIA 3.12[79](B)
A	.06	
B	.12	
C	.18	
D	.25	
E	.04	



SCHEMATIC DIAGRAM - 102



2800V	1 PH	KVBIL
234 KVAR	60 Hz	
CAT 16L0423WH3	SN	
2.0 GAL.	MFG DATE	
101N171	READ GEH- 2743	

* UP TO +.50 CASE BULGE

GE ENERGY FORT EDWARD, N.Y., U.S.A.	SIZE A	OUTLINE 16L0423WH3
	SCALE	
DRAWN E. McGinn ISSUED	DATE 1/7/1997 DATE 1/8/1997	SHEET 2 CONT ON -

DISTR. TO