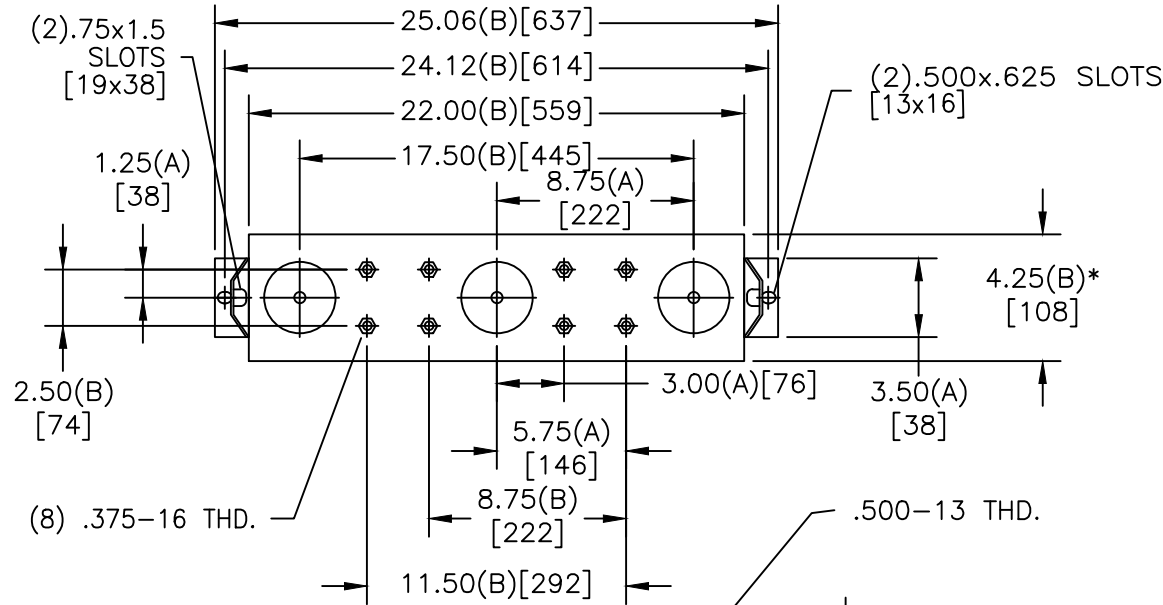
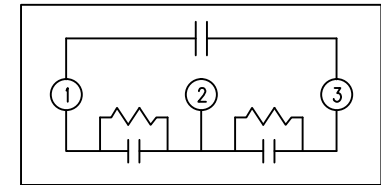


SIZE A	DWG NO 16L0424WH3	SHT 2	REV
REV	DESCRIPTION	DATE	APPROVED



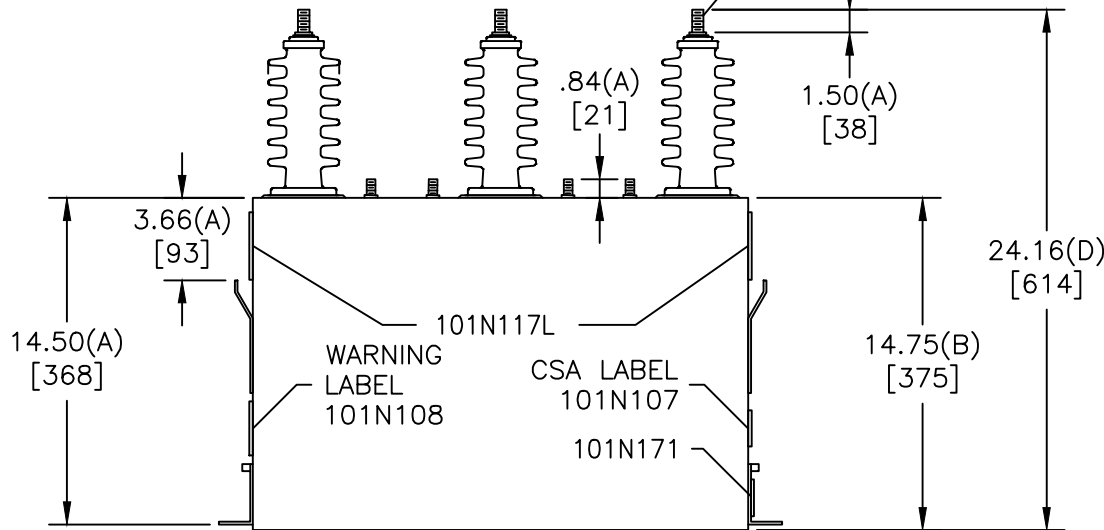
TOL	+/-
A	.06
B	.12
C	.18
D	.25

* UP TO +.50 CASE BULGE



SCHEMATIC DIAGRAM - 304

3X10.22 UF
 4160V 3 PH 95 KV BIL
 200 KVAR 60 Hz
 CAT 16L0424WH3 SN
 2.35 GAL.
 MFG DATE
 101N171 READ GEH-2743



GE ENERGY FORT EDWARD, N.Y., U.S.A.		SIZE A
DRAWN	JBC	DATE 7/2/2012
ISSUED		DATE 7/2/2012

OUTLINE
16L0424WH3

SHEET 2 CONT ON 3

DISTR. TO