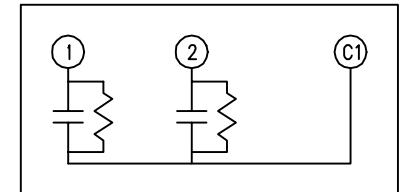
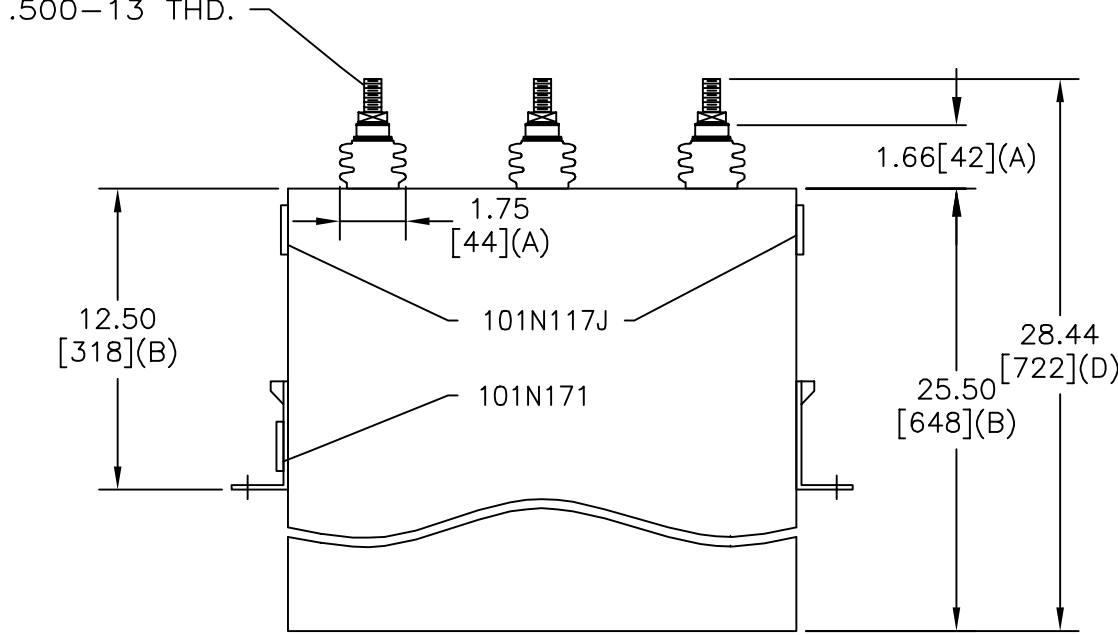
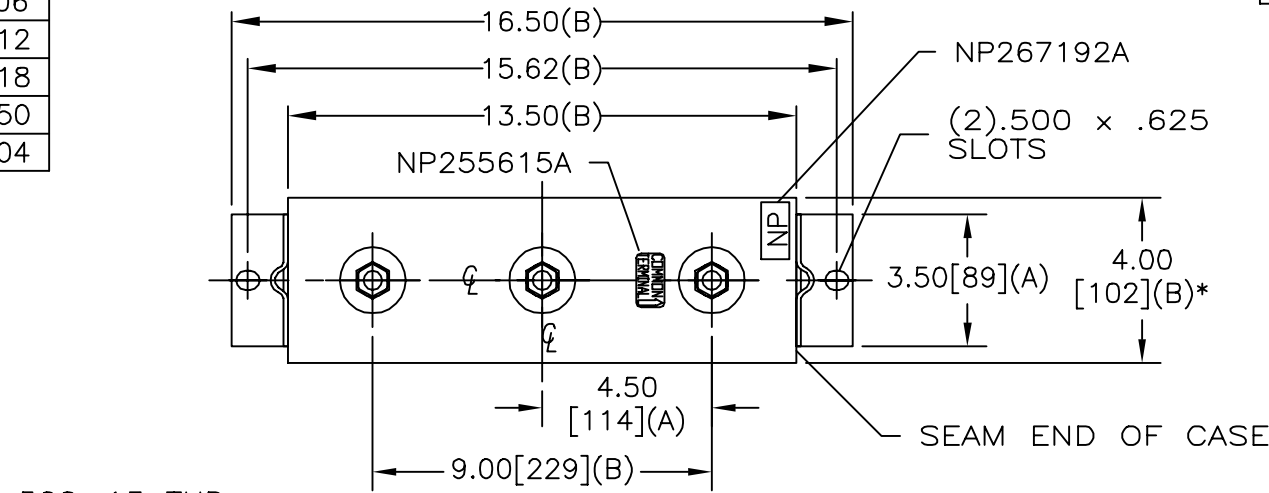


TOL	+/-
A	.06
B	.12
C	.18
D	.50
E	.04

SIZE A	DWG NO 16L0430WH3	SHT 2	REV 1
REV 1	DESCRIPTION UPDATE TO AUTOCAD	DATE 4/3/02	APPROVED B.ROSS



SCHEMATIC DIAGRAM - 212

2 X 100 KVAR SECTIONS
 1200 V 1 PH KVBIL
 200 KVAR 60 HZ
 CAT. 16L0430WH3
 1.8 GAL.
 MFG DATE
 101N171 READ GEH-2743

* UP TO +.50
 CASE BULGE

MAX. TERMINAL
 TIGHTENING TORQUE
 15 FT-LBS

NP267192A

INDUSTRIAL SYSTEMS FORT EDWARD, N.Y., U.S.A.	SIZE A	OUTLINE 16L0430WH3	
	SCALE		
DRAWN E. McGinn	DATE NOV. 3, 1997		
ISSUED	DATE 11-5-97		
		SHEET 2	CONT ON 3

DISTR. TO