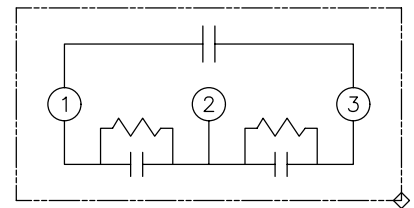
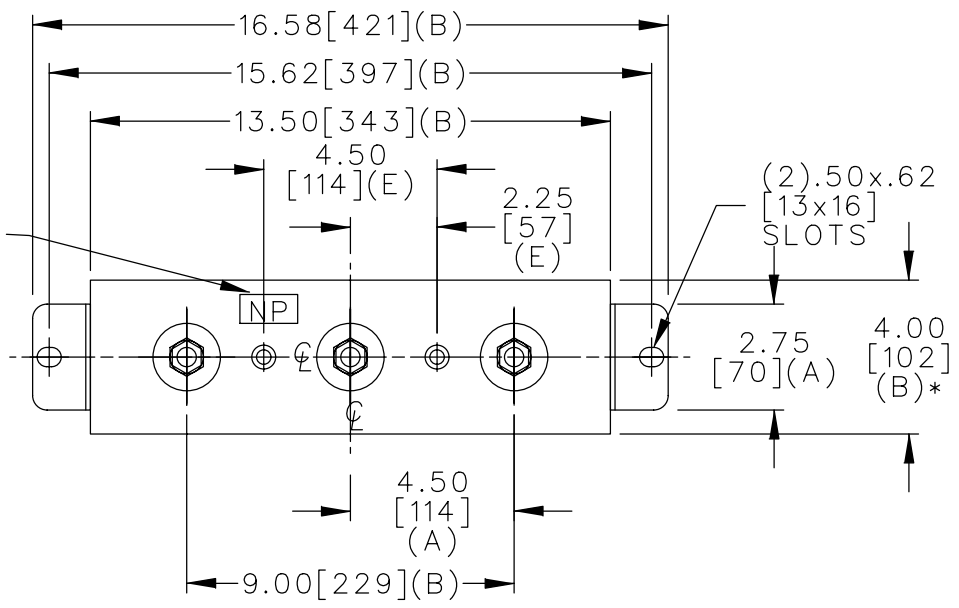


SIZE	DWG NO.	SH	REV
A	16L0432WH3	2	
REV			

TOL	+/-
A	.06
B	.12
C	.18
D	.25
E	.03

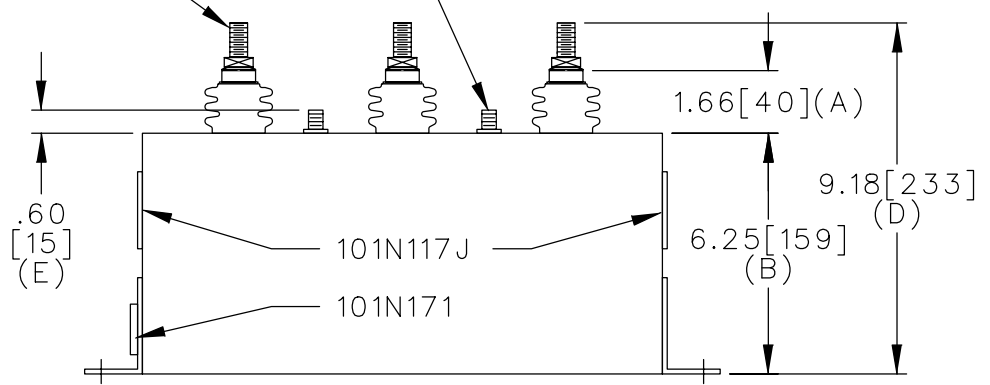
BUSH.DIA.  
1.75[44](A)



SCHEMATIC DIAGRAM - 304

.50-13 THD.

.38-16 THD



1039V 3PH  
27KVAR 50HZ KVBIL  
CAT. 16L0432WH3 NO.  
0.6 GAL.  
MFG DATE  
GEH-2743

101N171

\* UP TO +.50[13]  
CASE BULGE

MAX. TERMINAL  
TIGHTENING TORQUE  
15 FT-LBS

NP267192A

<p>CAPACITOR &amp; POWER PROTECTION FORT EDWARD, N.Y., U.S.A.</p>	SIZE	FSCM NO	<p>OUTLINE 16L0432WH3</p>
	A	20/9 LB/KG	
DRAWN E.McGINN NOV. 13, 1998 ISSUED	SCALE	SHEET 2	CONT 3

DISTR TO