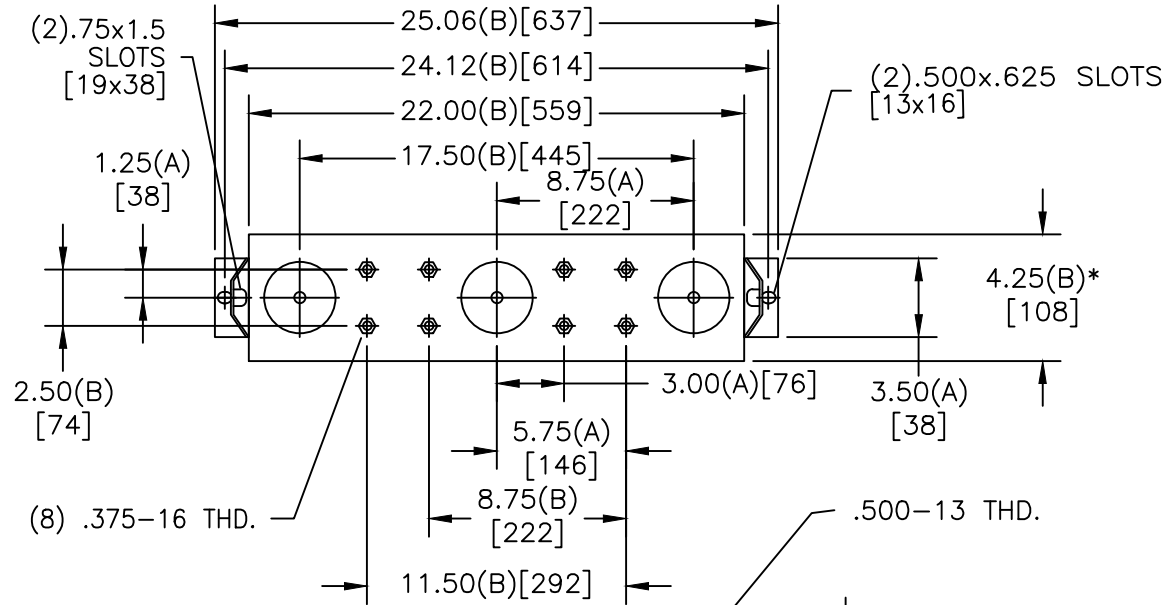
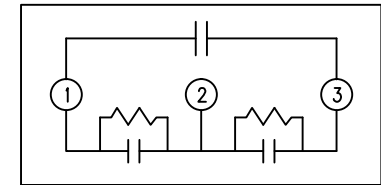
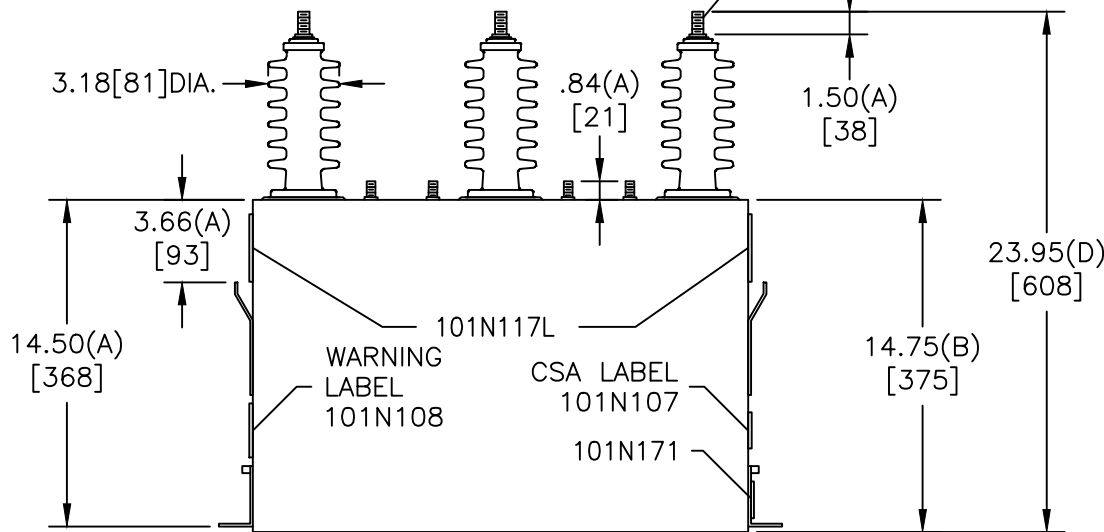


SIZE A	DWG NO 16L0439WH3	SHT 2	REV
REV	DESCRIPTION	DATE	APPROVED



TOL	+/-
A	.06
B	.12
C	.18
D	.25

* UP TO +.50 CASE BULGE



SCHEMATIC DIAGRAM - 304

4160V 3 PH 95 KV BIL
 50 KVAR 60 Hz
 CAT 16L0439WH3 SN
 2.35 GAL.
 MFG DATE
 101N171 READ GEH- 2743

GE ENERGY FORT EDWARD, N.Y., U.S.A.		SIZE A
DRAWN JBC	DATE 10/16/2012	SCALE
ISSUED	DATE 10/16/2012	

OUTLINE
16L0439WH3

SHEET 2 CONT ON 3

DISTR. TO