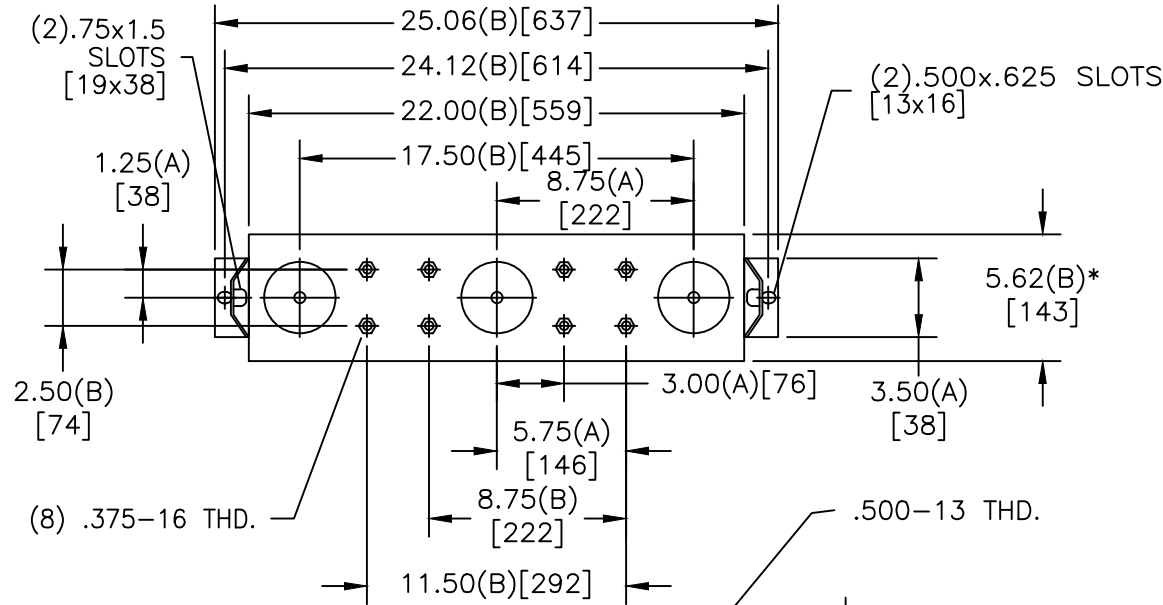
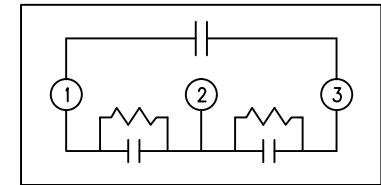
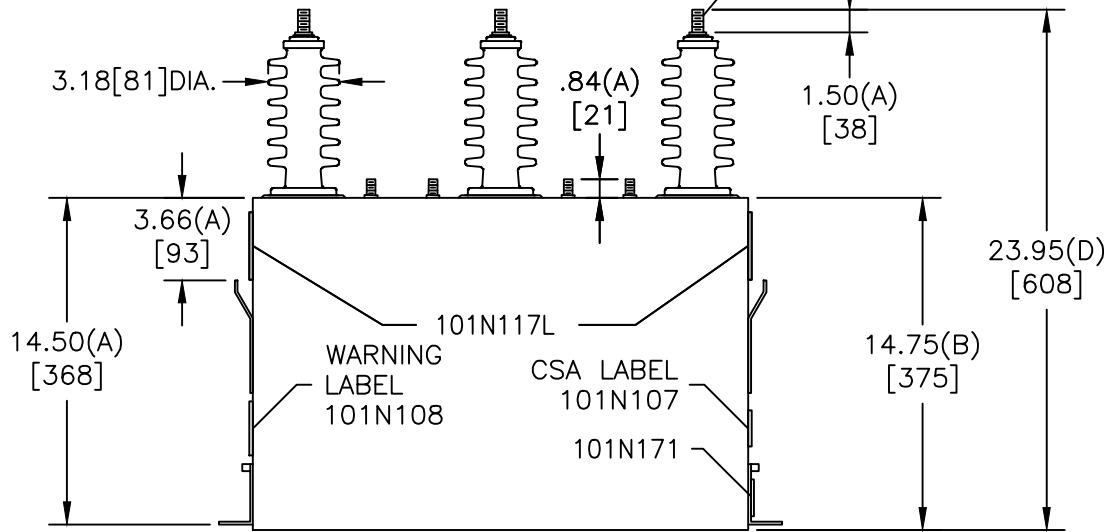


SIZE A	DWG NO 16L0440WH3	SHT 2	REV
REV	DESCRIPTION	DATE	APPROVED



TOL	+/-
A	.06
B	.12
C	.18
D	.25

* UP TO +.50 CASE BULGE



SCHEMATIC DIAGRAM - 304

4160V 3 PH 95 kVBIL
 220 KVAR 60 Hz
 CAT 16L0440WH3 SN
 2.9 GAL.
 MFG DATE
 101N171 READ GEH- 2743

GE ENERGY FORT EDWARD, N.Y., U.S.A.		SIZE A
DRAWN	JBC	DATE 10/16/2012
ISSUED		DATE 10/16/2012

OUTLINE
16L0440WH3

SHEET 2 CONT ON -

DISTR. TO