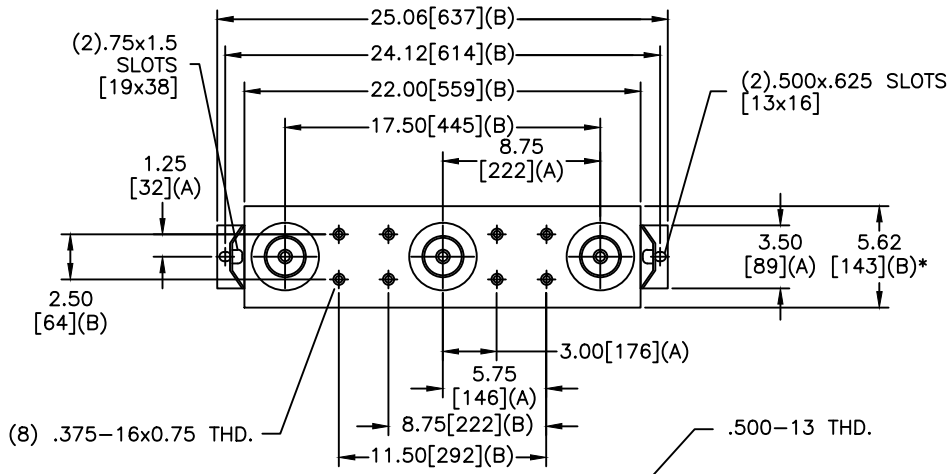
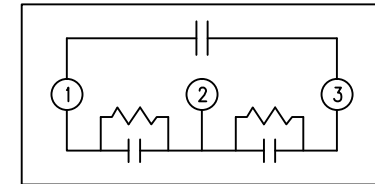
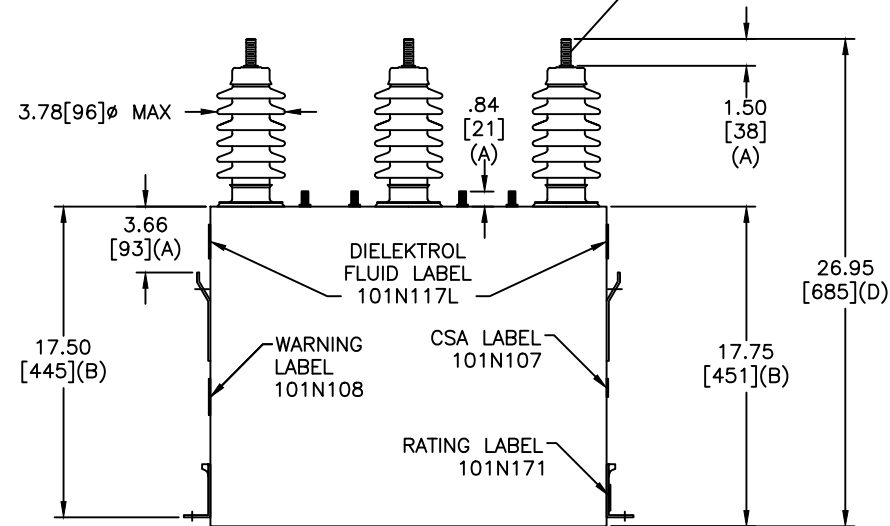


SIZE A	DWG NO 16L0441WH3	SHT 2	REV
REV	DESCRIPTION	DATE	APPROVED



TOL	+/-
A	.06
B	.12
C	.18
D	.25

* UP TO +.75 CASE BULGE



SCHEMATIC DIAGRAM - 304

4160V 3 PH 95 KV BIL
 300 KVAR 60 Hz
 CAT 16L0441WH3 SN
 3.3 GAL.
 MFG DATE
 101N171 READ GEH- 2743

GE ENERGY FORT EDWARD, N.Y., U.S.A.		SIZE A	EST WT 127/58 LB/KG
		SCALE	
DRAWN	JBC	DATE	10/16/2012
ISSUED		DATE	10/16/2012

<h1>OUTLINE</h1> <h2>16L0441WH3</h2>		SHEET	2	CONT	ON	3
		DISTR. TO				