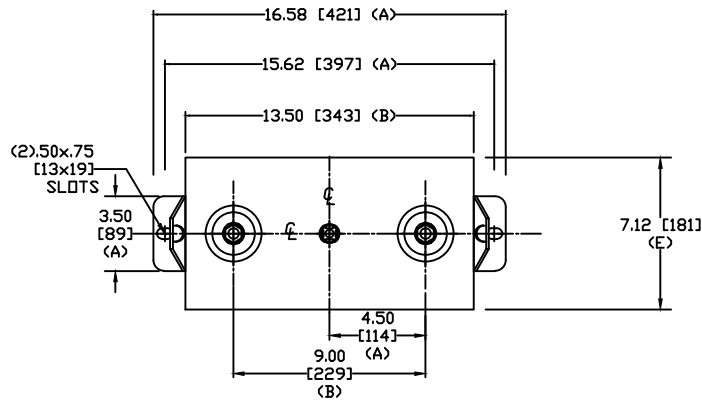
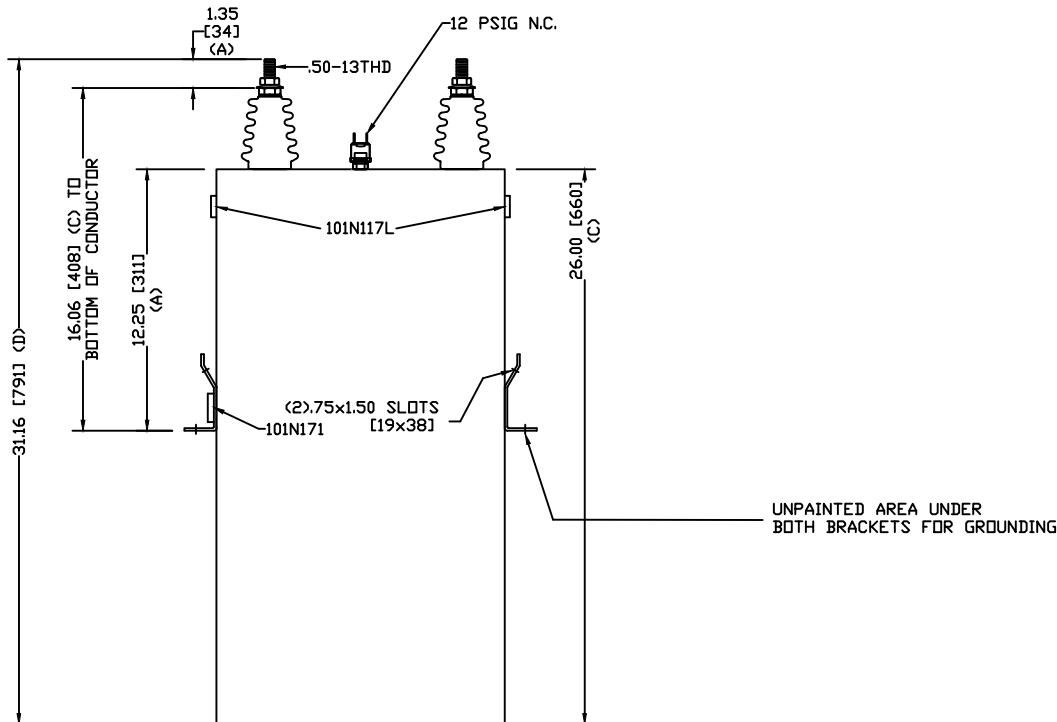


SIZE A	DWG NO 16L0445WH4	SHT 2	REV
REV	DESCRIPTION	DATE	APPROVED



TOL	in.	mm
A	.06	1.5
B	.12	3.0
C	.18	4.6
D	.25	6.4
E	+5/-1	+13/-2.5



Capacitor
With Dielektrol Fluid
With Internal Discharge Resistors

3300 V 1 PH 60 KVBIL
343.3 KVAR 50 Hz
CAT. 16L0445WH4
Contains 3.85 GAL Combustible Liquid with less than
one part per million PCB on MFG DATE:
101N171 READ GEH-2743

Nameplate

	GE ENERGY FORT EDWARD, N.Y., U.S.A.		SIZE A	EST. WEIGHT 125 lbs 56.8 kg	OUTLINE 16L0445WH4
	DRAWN JBC	DATE 11/10/2014	SCALE	SHEET 2 CONT ON 3	
ISSUED	DATE 11/10/2014				

DISTR. TO