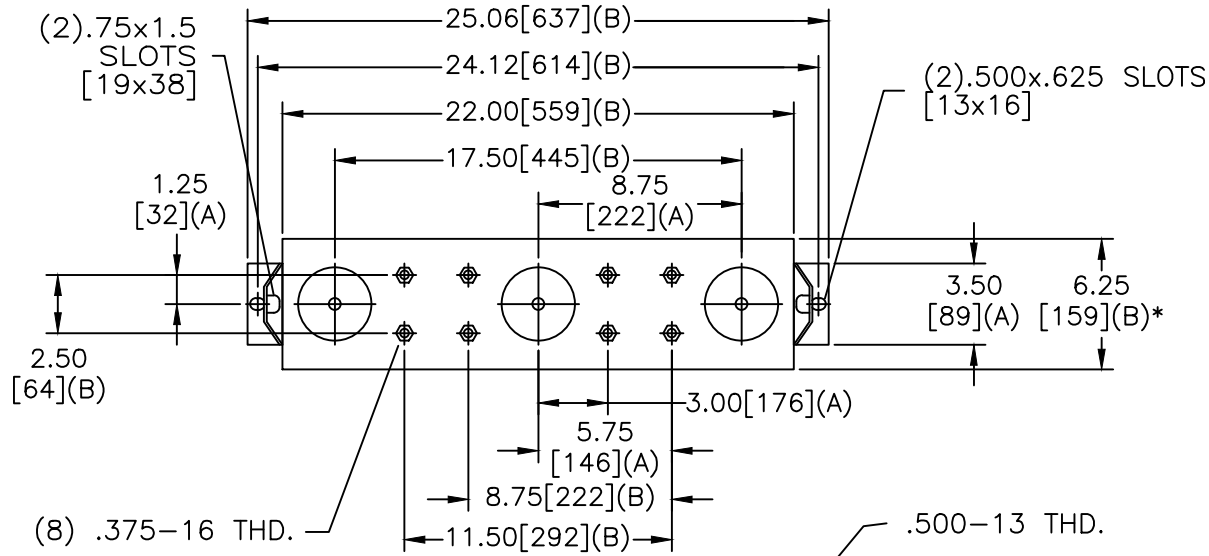
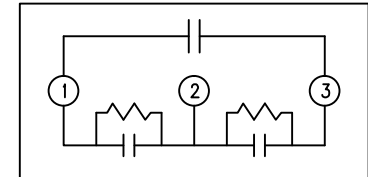
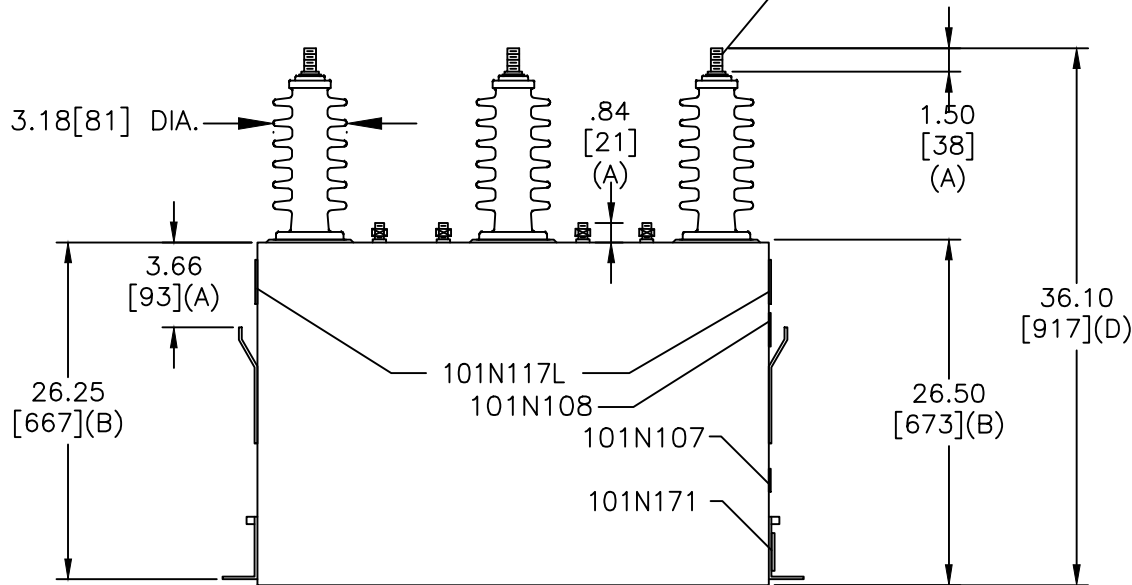


SIZE A	DWG NO 16L0449WH3	SHT 2	REV
REV	DESCRIPTION	DATE	APPROVED



TOL	+/-
A	.06
B	.12
C	.18
D	.25

* UP TO +.75 CASE BULGE



SCHEMATIC DIAGRAM - 304

DELTA CONN
 6300 V 3 PH KVBIL
 500 KVAR 50 Hz
 CAT 16L0449WH3 SN
 5.00 GAL.
 MFG DATE
 101N171 READ GEH- 2743

INDUSTRIAL SYSTEMS FORT EDWARD, N.Y., U.S.A.		SIZE A	EST WT 218/99 LB/KG	<h1>OUTLINE</h1> <h2>16L0449WH3</h2>	SHEET 2 CONT ON 3
DRAWN JBC	DATE 2/20/2015	SCALE	DISTR. TO		
ISSUED	DATE 2/20/2015				