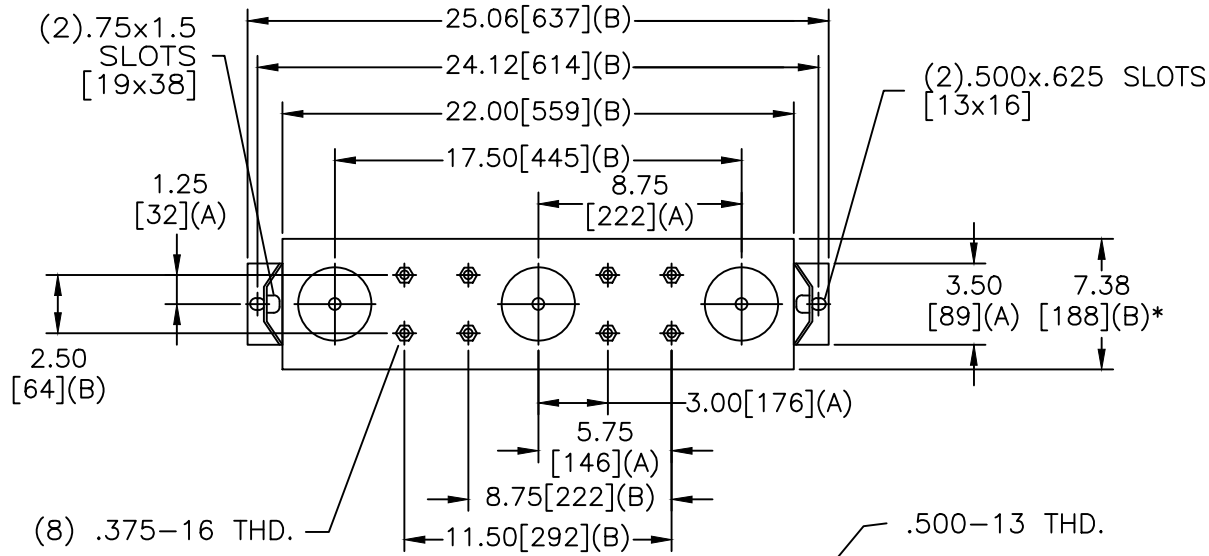
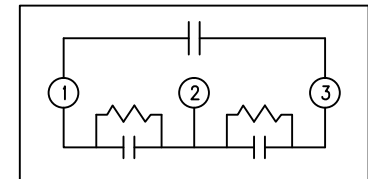
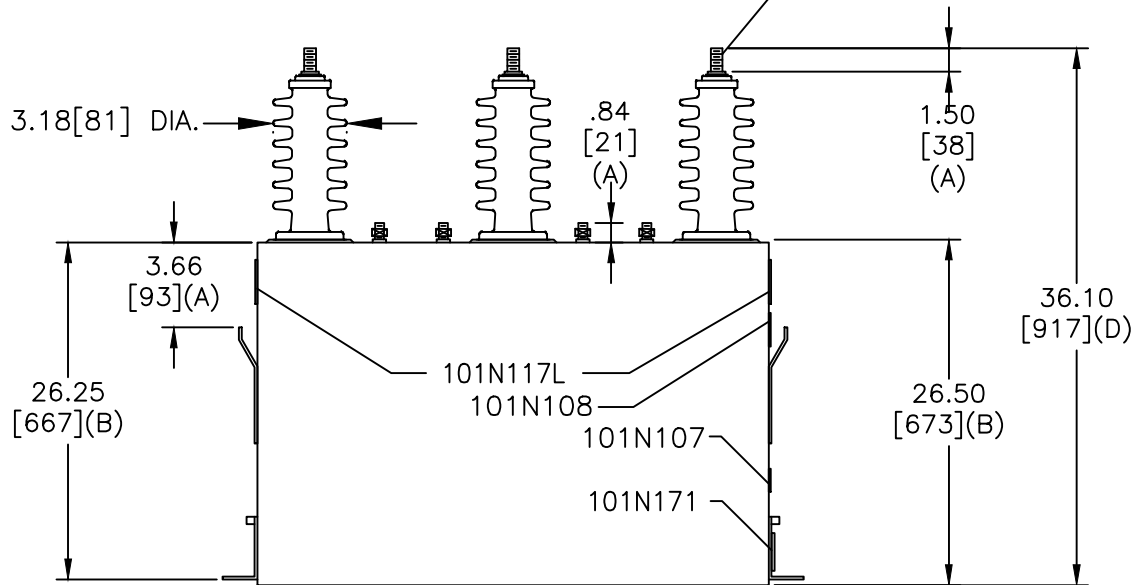


SIZE A	DWG NO 16L0450WH3	SHT 2	REV
REV	DESCRIPTION	DATE	APPROVED



TOL	+/-
A	.06
B	.12
C	.18
D	.25

\* UP TO +.75 CASE BULGE



SCHEMATIC DIAGRAM - 304

DELTA CONN  
 6300 V 3 PH KVBIL  
 600 KVAR 50 Hz  
 CAT 16L0450WH3 SN  
 5.00 GAL.  
 MFG DATE  
 101N171 READ GEH- 2743

<b>INDUSTRIAL SYSTEMS</b> FORT EDWARD, N.Y., U.S.A.	SIZE A	EST WT 218/99 LB/KG	<h1>OUTLINE</h1> <h2>16L0450WH3</h2>	DISTR. TO
	DRAWN JBC DATE 2/20/2015			
ISSUED DATE 2/20/2015				