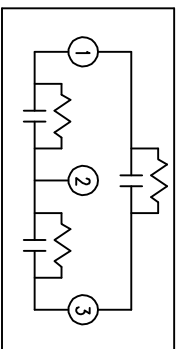
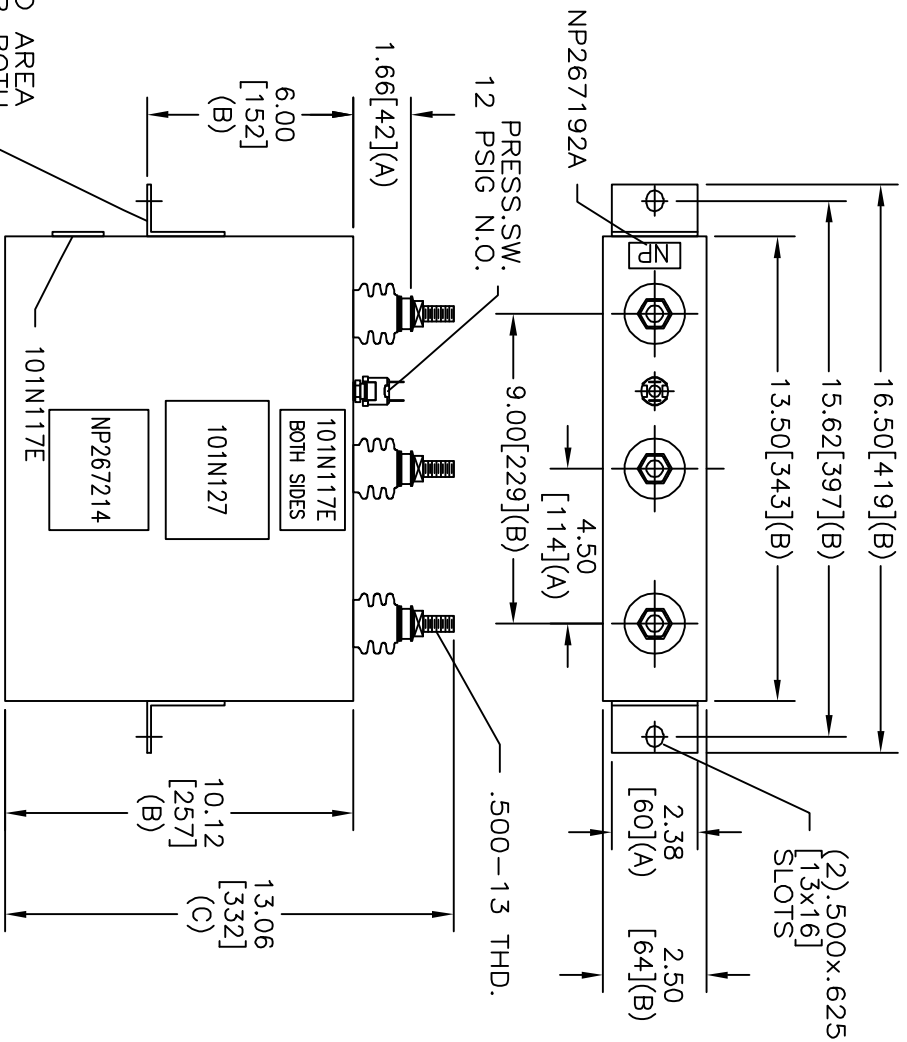


SIZE	DWG NO	SHT	REV
A	16L0553TH4	2	1
REV	DESCRIPTION	DATE	APPROVED
1	CHG LOC OF NPS	5-4-05	EJM



SCHEMATIC DIAGRAM - 302

WITH INTERNAL DISCH RESISTORS  
 CAT. 16L0553TH4 SN  
 30KVAR 480V 60HZ 3PH  
 1.10 GAL. COMBUSTIBLE LIQUID  
 CAUTION! BEFORE INSTALLING OR  
 OPERATING READ GEH-2727  
 NP267214

\* UP TO +.50[13]  
 CASE BULGE

UNPAINTED AREA  
 UNDER BOTH  
 BRACKETS FOR  
 GROUNDING.

MAX. TERMINAL  
 TIGHTENING TORQUE  
 15 FT-LBS

NP267192A

<b>INDUSTRIAL SYSTEMS</b> FORT EDWARD, N.Y., U.S.A.		SIZE	A
ISSUED	DATE	SCALE	
NP267192A	3/30/05		
DRAWN	DATE		
B. ROSS	Oct 27, 2004		
<b>OUTLINE</b> 16L0553TH4		SHEET	2
		CONT	3

DISTR. TO