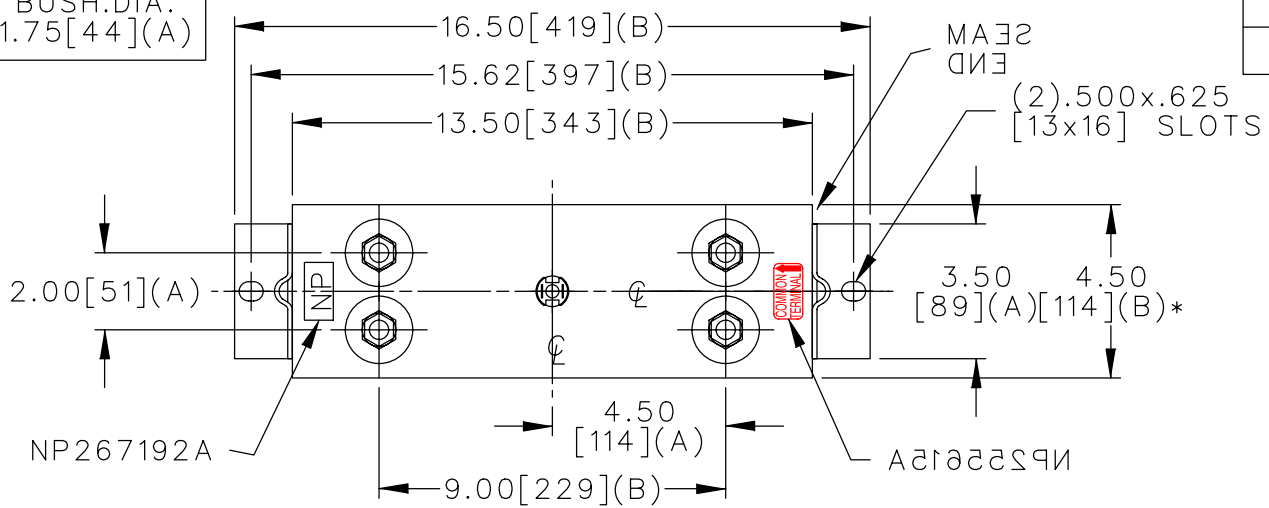
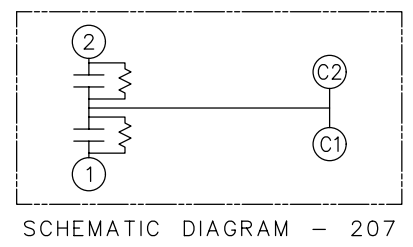
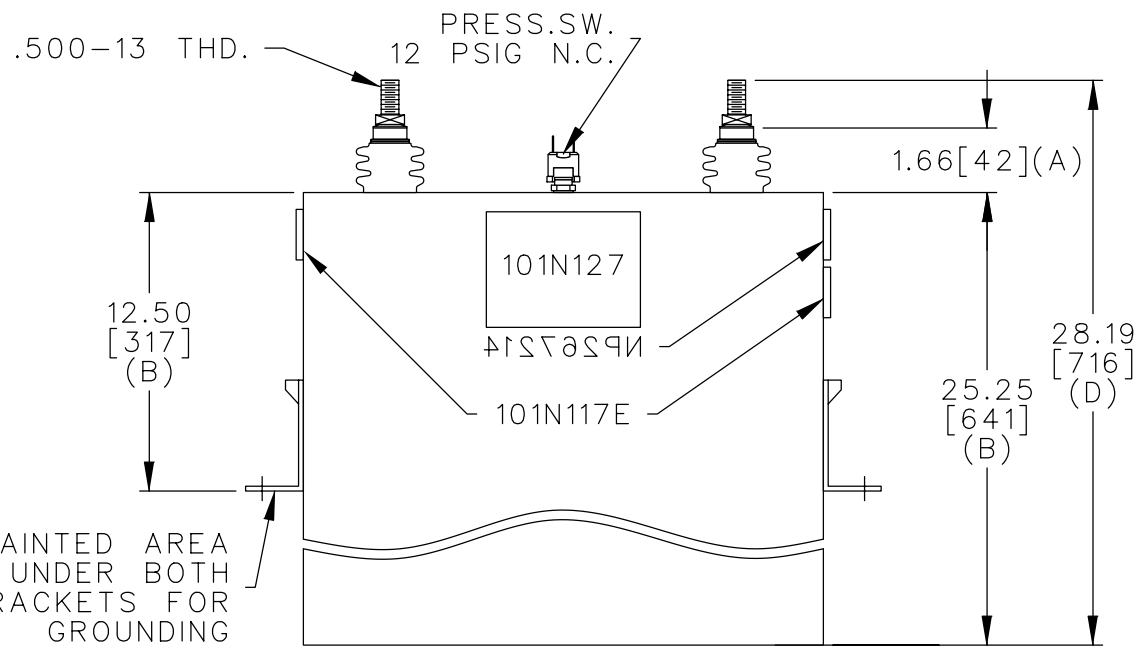


SIZE A	DWG. NO. 16L0577TH4	SH 2	REV
REV 4	10-27-99		
5	McGINN CHG SEAM + COMMON END		

TOL	+/-	BUSH.DIA.
A	.06	1.75[44](A)
B	.12	
C	.18	
D	.25	
E	.03	



TERM	uF	kVAR
1	1253.6	100
2	1253.6	100



WITH INTERNAL DISCH RESISTORS
 CAT. 16L0577TH4 SN
 200KVAR 460V 60HZ 1PH
 100/100 KVAR/SECT
 3.4 GAL. COMBUSTIBLE LIQUID
 CAUTION! BEFORE INSTALLING OR
 OPERATING READ GEH-2743
 MADE IN MEXICO

NP267214

* UP TO +.50[13]
 CASE BULGE

MAX. TERMINAL
 TIGHTENING TORQUE
 15 FT-LBS

NP267192A

	CAPACITOR & POWER PROTECTION FORT EDWARD, N.Y., U.S.A.		SIZE A	FSCM NO	OUTLINE 16L0577TH4	SHEET 2 CONT 3
	DRAWN E.McGINN	MAY 1, 1990	SCALE	DISTR TO		
ISSUED	6-7-90					