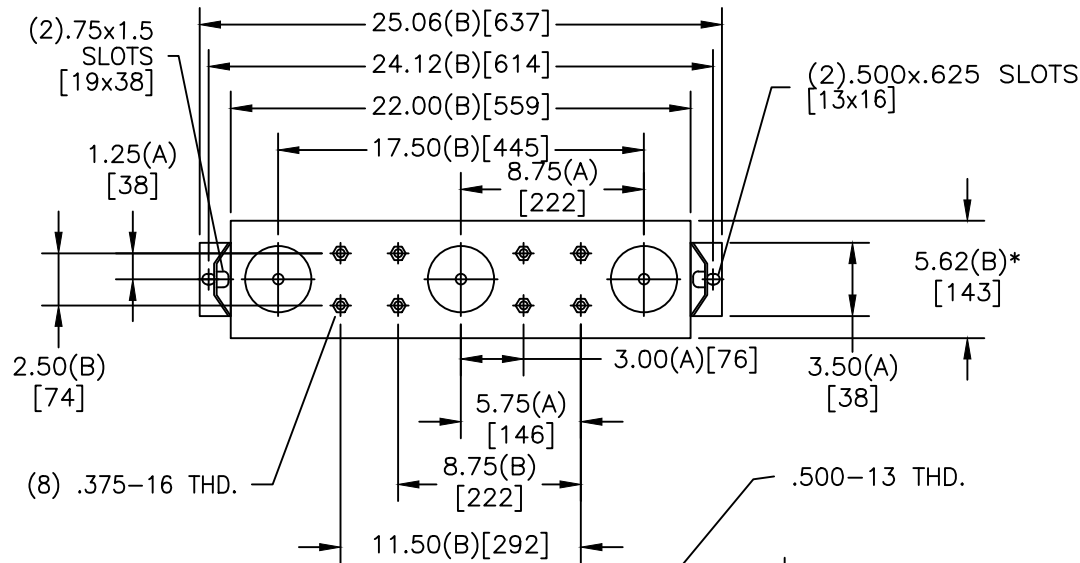
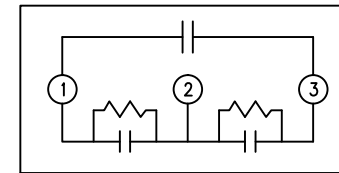


SIZE A	DWG NO 16L0270WH3	SHT 2	REV 3
REV 3	DESCRIPTION Update NP	DATE 1/22/2019	APPROVED LLC

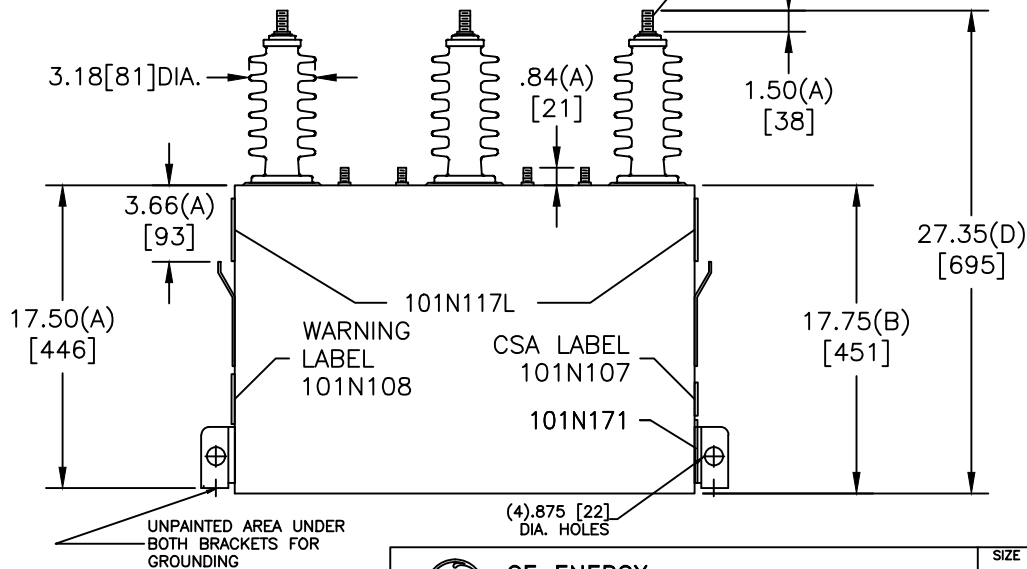


TOL	+/-
A	.06
B	.12
C	.18
D	.25

\* UP TO +.50 CASE BULGE



SCHEMATIC DIAGRAM - 304



## Capacitor

With Dielektrol Fluid  
With Internal Discharge Resistors

Volt. 6600	PH 3	kVBIL
kVAr 250	Hz 60	Mea.
Cat. 16L0270WH3		SN.

**DELTA CONNECTION**

Contains 3.5 Gal. Combustible Liquid with less than one part per million PCB on MFG date:  
**CAUTION!** Before installing or operating Read GEH- 2743

101N171A Clearwater, Florida USA

<b>GE ENERGY</b> Clearwater, Florida USA	SIZE <b>A</b>	<h1 style="margin: 0;">OUTLINE</h1> <h2 style="margin: 0;">16L0270WH3</h2>
	DRAWN <b>LOWERY</b> DATE <b>3/26/ 2003</b> ISSUED                      DATE <b>5/5/04</b>	
SHEET <b>2</b> CONT ON <b>-</b>		DISTR. TO