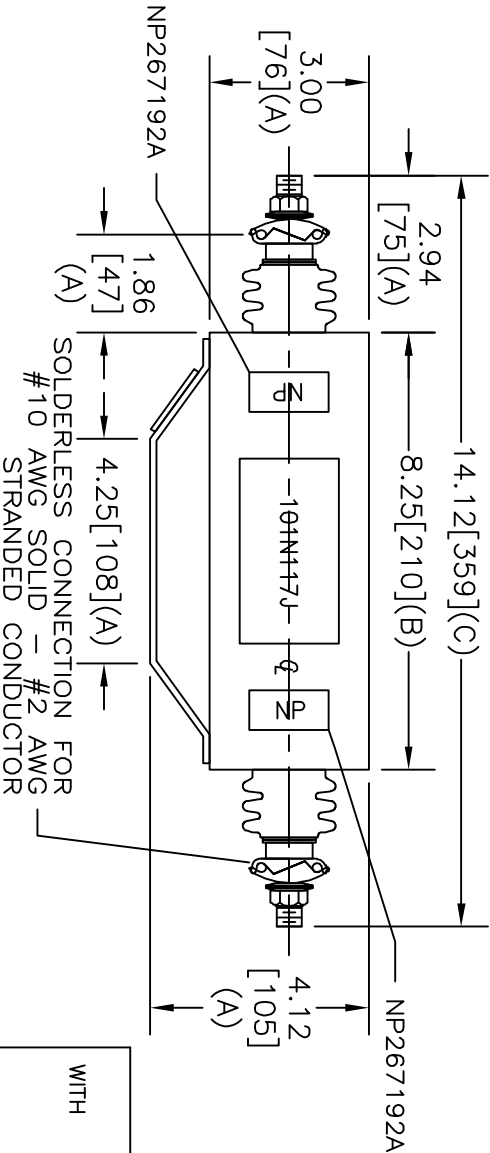
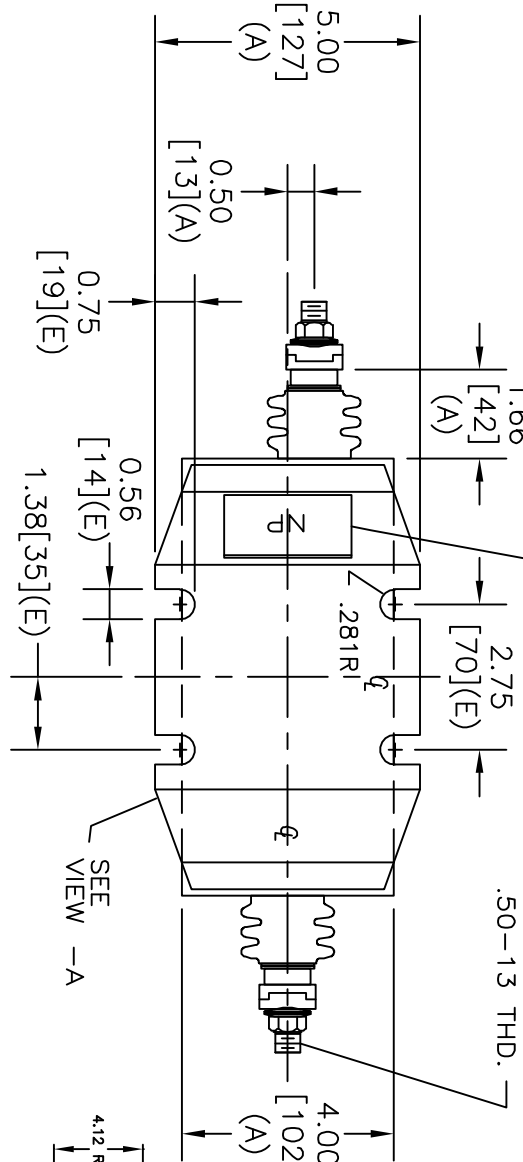


SIZE	DWG NO	SHT	REV
A	18L0004WH	2	1
REV	DESCRIPTION	DATE	APPROVED
1	UPDATE CAT NO		MCGINN



DIELEKTROL VII FLUID  
 WITH INTERNAL DISCHARGE RESISTORS  
 VOLTS 750DC 4UF  
 CAT 18L0004WH SN  
 0.21 GAL.  
 MFG DATE  
 READ GEH-2731  
 NP267280



MAX. TERMINAL  
 TIGHTENING TORQUE  
 15 FT-LBS

INDUSTRIAL SYSTEMS  
 FORT EDWARD, N.Y., U.S.A.

DRAWN E. McGinn  
 DATE DEC 4, 1996  
 ISSUED DATE 12/11/96

SIZE A  
 SCALE

OUTLINE  
 18L0004WH

SHEET 2 CONT 3

DISTR. TO