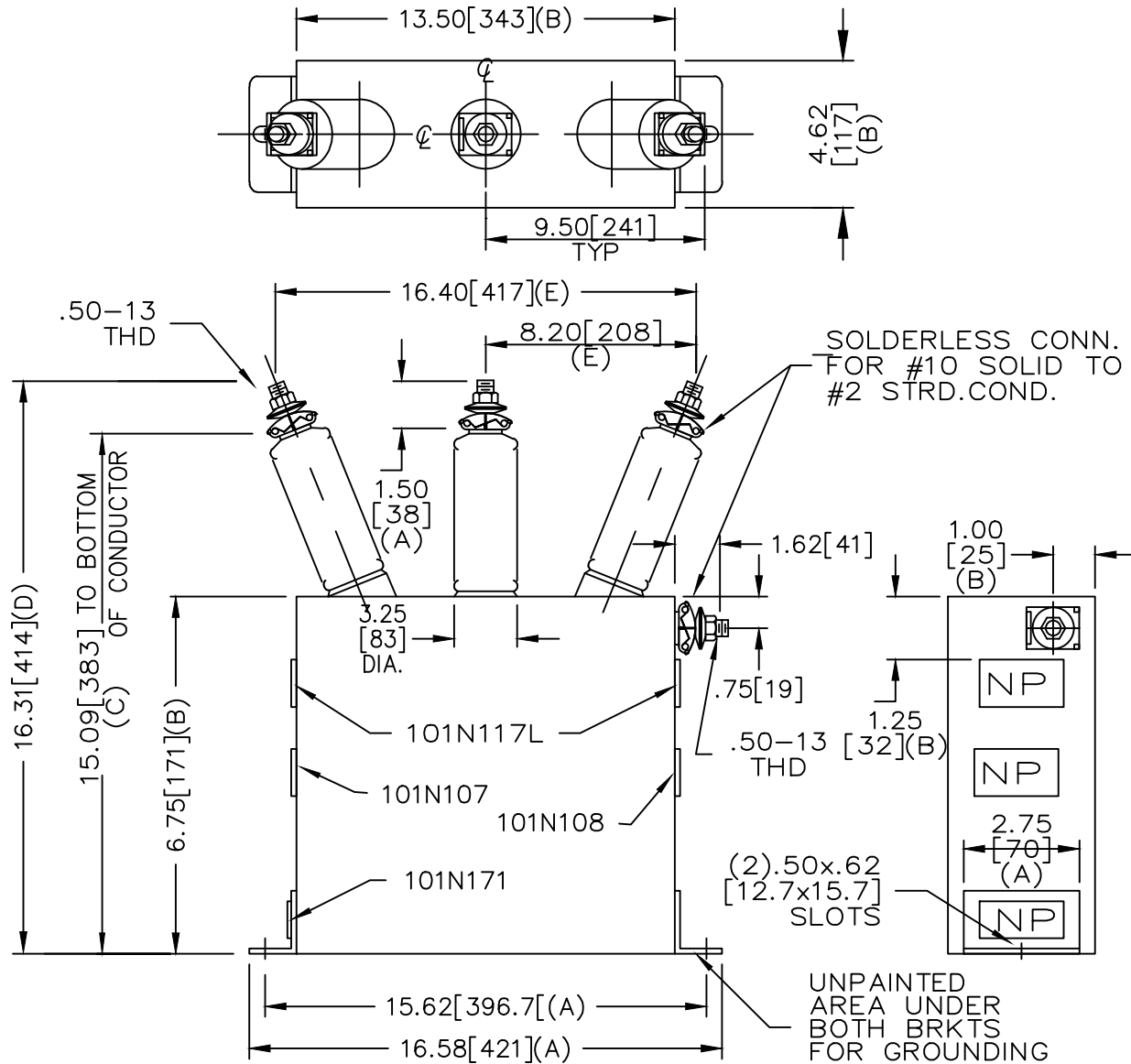
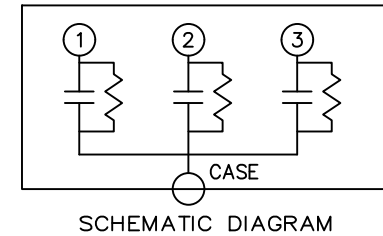


SIZE A	DWG NO 18L0015WH	SHT 2	REV 6
REV 6	DESCRIPTION UPDATE NP	DATE 06/02/2011	APPROVED JBC



TOL	IN	MM
A	.06	1.5
B	.12	3.0
C	.18	4.6
D	.25	6.4
E	.50	12.7



4160 DR 2400 VAC  
 3 X 0.50 UF 110 kVBIL  
 3 POLE KVAR Hz 50/60  
 CAT 18L0015WH SN  
 .70 GAL.  
 MFG DATE  
 101N171 READ GEH- 2730

<b>GE ENERGY</b> FORT EDWARD, N.Y., U.S.A.		SIZE A
DRAWN D.E.Stone	DATE 10-1-96	SCALE
ISSUED	DATE 10-2-96	

OUTLINE  
18L0015WH

SHEET 2 CONT ON -

DISTR. TO