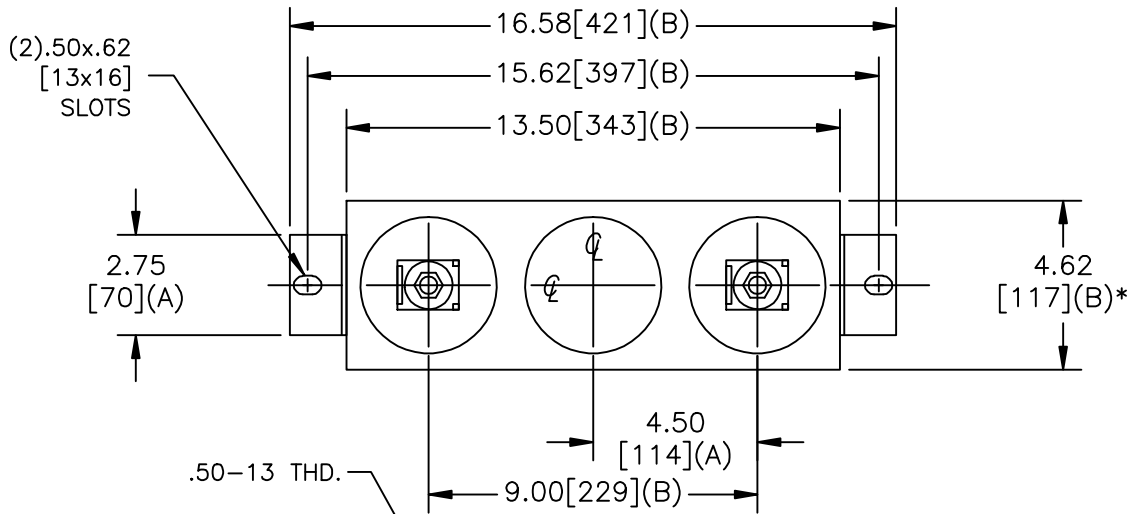
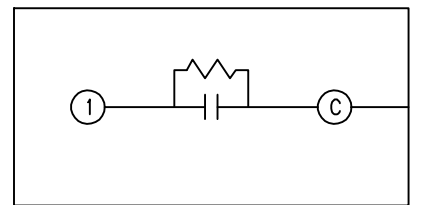
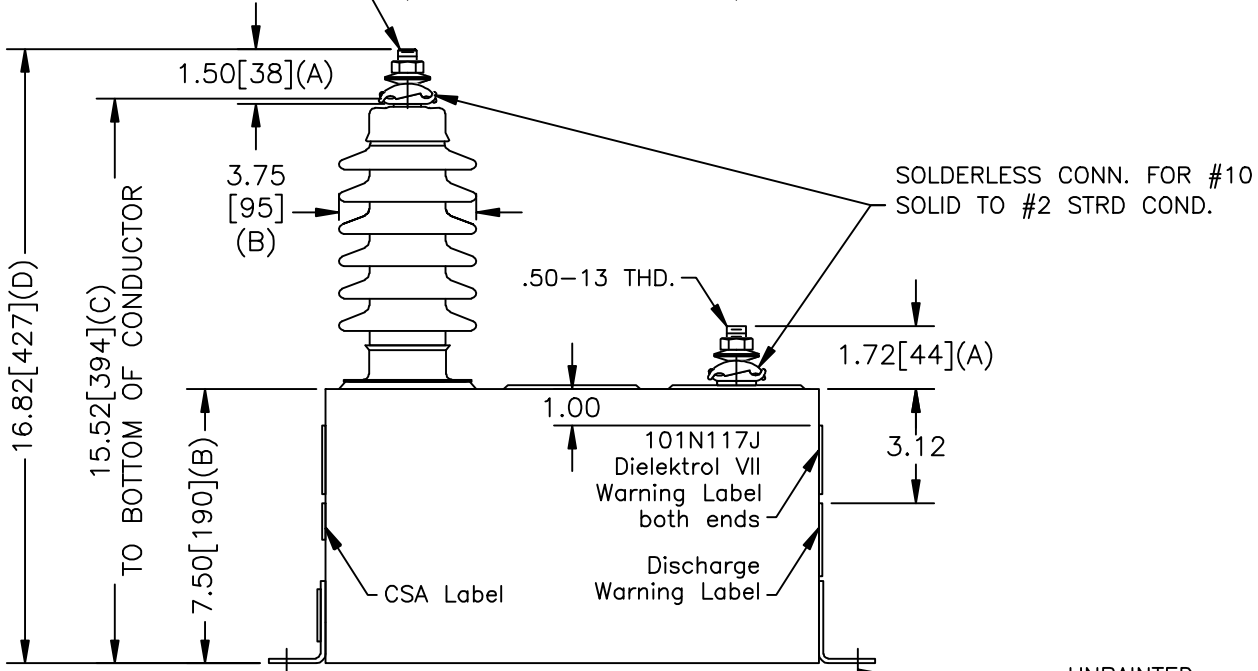


SIZE A	DWG NO 18L0019WH	SHT 2	REV 3
REV 3	DESCRIPTION NP WAS V	DATE 3/23/2008	APPROVED BTR



TOL	IN.	MM
A	.06	1.5
B	.12	3.0
C	.18	4.6
D	.25	6.4



6900 VAC
.5 UF
1 POLE KVAR
CAT 18L0019WH
.8 GAL.
101N171

110 kVBIL
Hz 50/60
SN
MFG DATE
READ GEH- 2730

UNPAINTED
AREA UNDER
BOTH BRKTS
FOR GROUNDING

INDUSTRIAL SYSTEMS FORT EDWARD, N.Y., U.S.A.	SIZE A	OUTLINE 18L0019WH	SHEET 2	CONT ON -
	DRAWN D.E.Stone ISSUED			

DISTR. TO