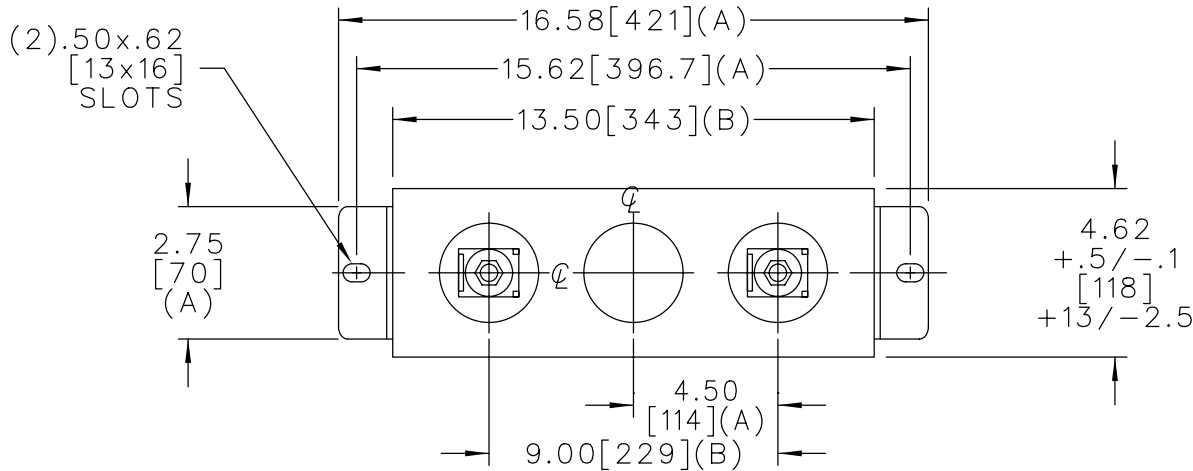
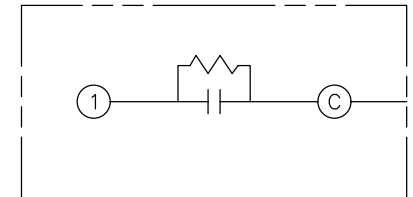


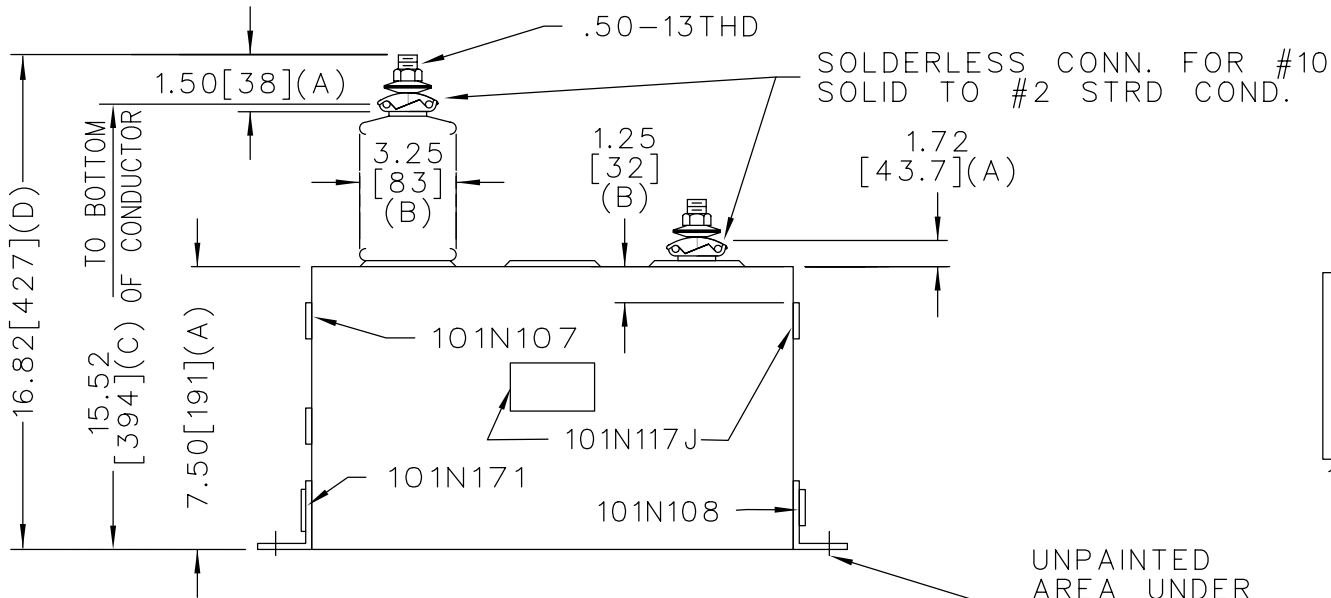
SIZE A	DWG NO. 18L0061WH	SH 2	REV
REV 1	ADD 101N107+108	DATE McGINN	



TOL	IN.	MM
A	.06	1.5
B	.12	3.0
C	.18	4.6
D	.25	6.4



SCHEMATIC DIAGRAM - 103



6900 VAC
 .5 uf 110 KV-BIL
 1 POLE KVAR Hz 50/60
 CAT. 18L0061WH SN
 .8 GAL.
 GEH-2730

101N171

UNPAINTED AREA UNDER BOTH BRKTS FOR GROUNDING

<p>CAPACITOR & POWER PROTECTION FORT EDWARD, N.Y., U.S.A.</p>	SIZE A	<p>OUTLINE 18L0061WH</p>	
	DRAWN R A HILL 2/3/00		
	ISSUED 2-9-00	SCALE	SHEET 2

DISTR TO