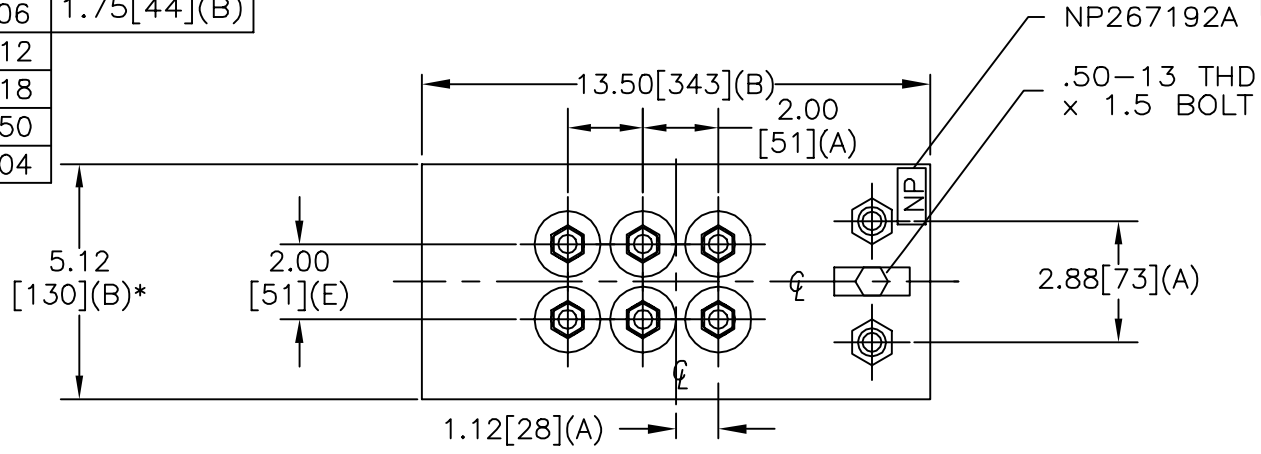
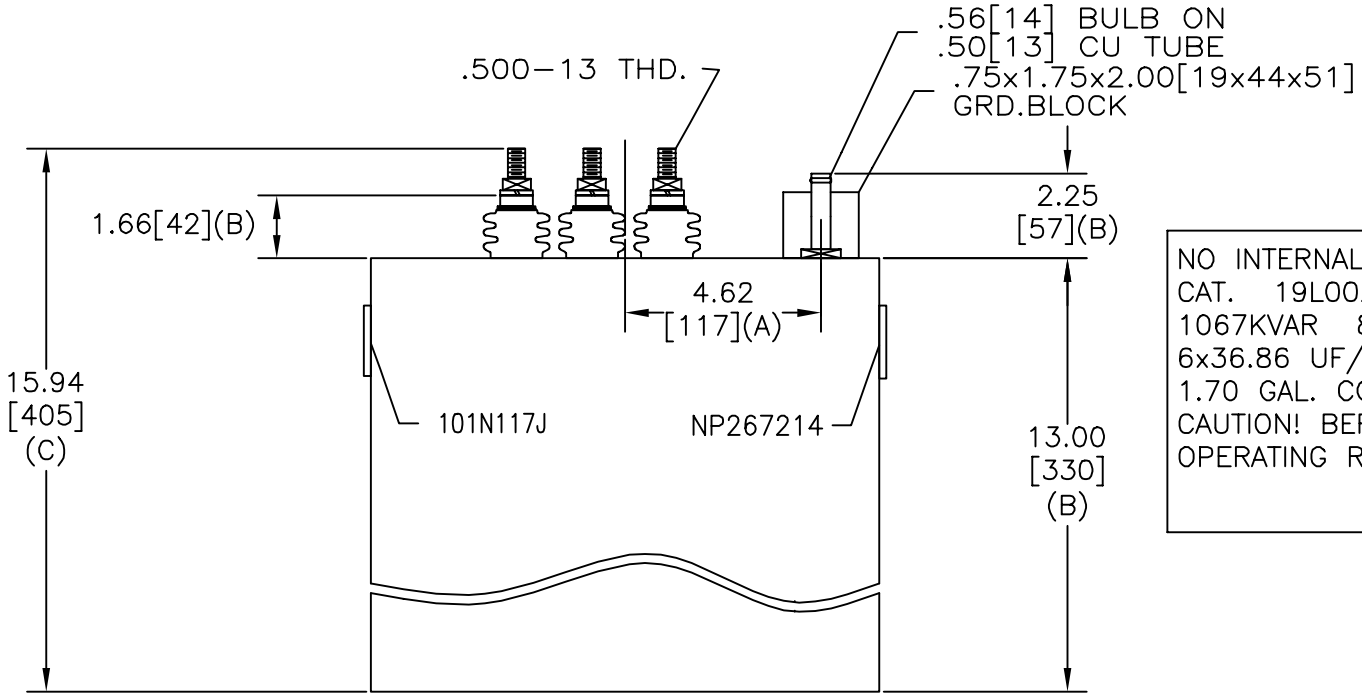
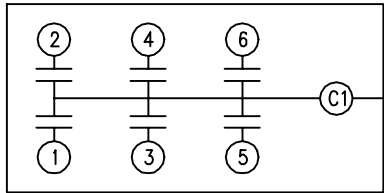


SIZE A	DWG NO 19L0020WH1	SHT 2	REV 1
REV 1	DESCRIPTION UPDATE TO AUTOCAD	DATE 3/20/02	APPROVED B.ROSS

TOL	+/-	BUSH. DIA.
A	.06	1.75[44](B)
B	.12	
C	.18	
D	.50	
E	.04	



TERM	uF	kVAR
1	36.86	177.83
2	36.86	177.83
3	36.86	177.83
4	36.86	177.83
5	36.86	177.83
6	36.86	177.83



NO INTERNAL DISCH RESISTORS
 CAT. 19L0020WH1 SN
 1067KVAR 800V 1200HZ 1PH
 6x36.86 UF/TAP
 1.70 GAL. COMBUSTIBLE LIQUID
 CAUTION! BEFORE INSTALLING OR
 OPERATING READ GEH-2733

NP267214

* UP TO +.50[13]
 CASE BULGE

MAX. TERMINAL
 TIGHTENING TORQUE
 15 FT-LBS

NP267192A

INDUSTRIAL SYSTEMS FORT EDWARD, N.Y., U.S.A.	SIZE A
	SCALE
DRAWN E. McGinn	DATE OCT. 7, 1998
ISSUED NP267192A	DATE 10-7-98

OUTLINE 19L0020WH1	
SHEET 2	CONT ON -

DISTR. TO