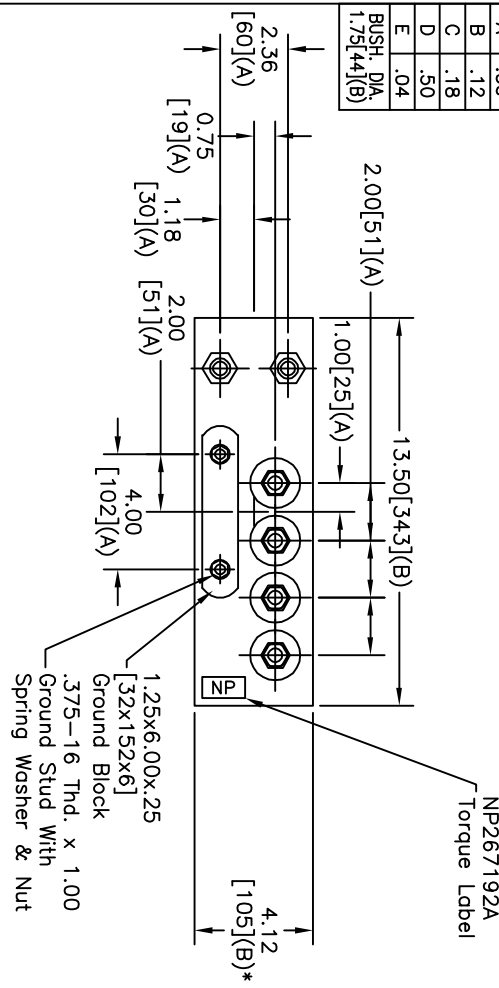
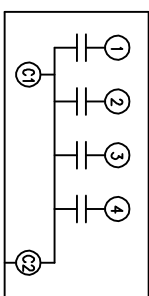
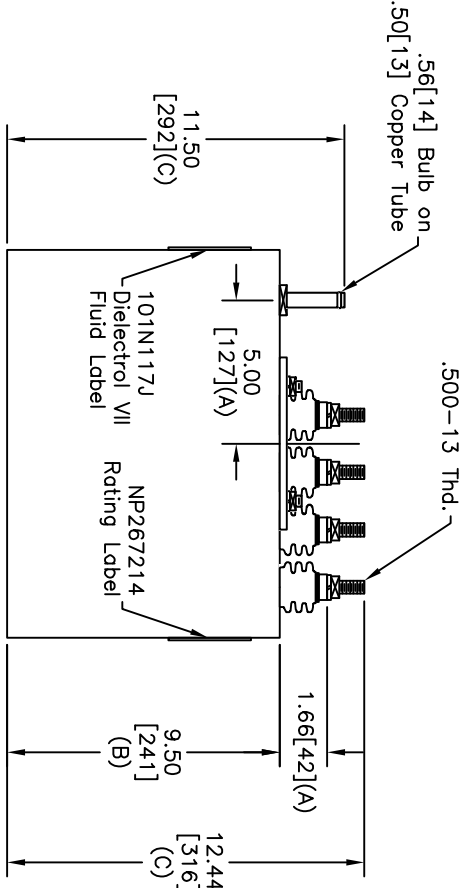


TOL	+/-
A	.06
B	.12
C	.18
D	.50
E	.04



TERM	UF
1	10
2	20
3	40
4	40



NO INTERNAL DISCH RESISTORS  
 CAT. 19L0028WH1 SN  
 850VPK 110UF 1100HZ  
 10+20+2x40 UF/TAP  
 1.0 GAL. COMBUSTIBLE LIQUID  
 CAUTION! BEFORE INSTALLING OR  
 OPERATING READ GEH-2733  
 NP267214  
 MADE IN USA

SIZE	DWG NO	SHT	REV
A	19L0028WH1	2	0
REV	DESCRIPTION	DATE	APPROVED
0	New	10/16/2006	BTR

\* UP TO +.50[13]  
 CASE BULGE

MAX. TERMINAL  
 TIGHTENING TORQUE  
 15 FT-LBS.  
 NP267192A

<b>GE ENERGY</b> FORT EDWARD, N.Y., U.S.A.		SIZE	A
		SCALE	WC9
DRAWN	B.ROSS	DATE	10/16/2006
ISSUED		DATE	10/20/2006

**OUTLINE**  
 19L0028WH1

DISTR. TO