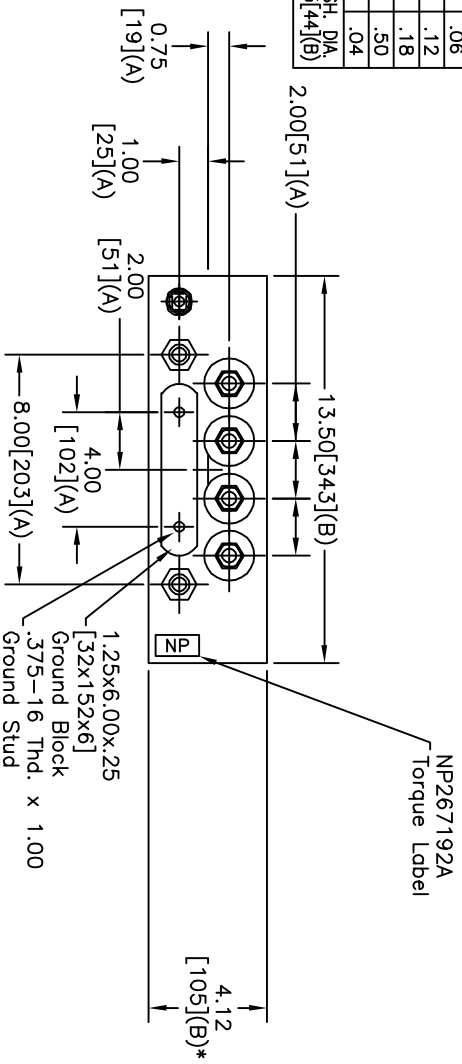
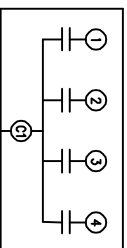
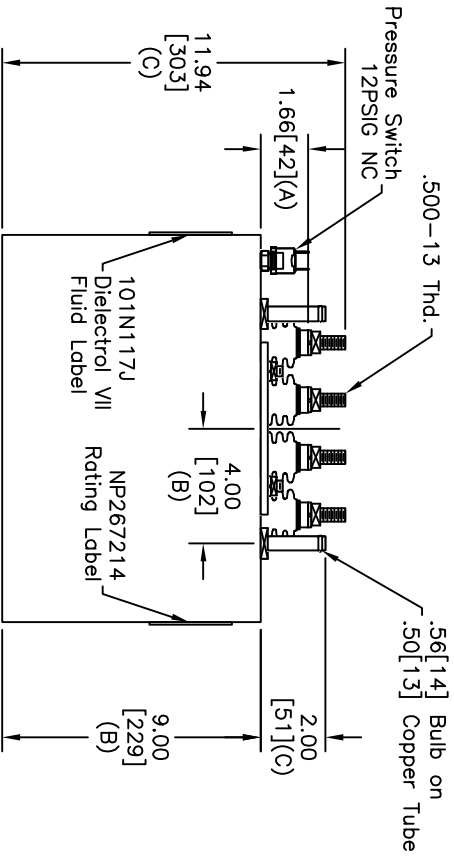


TOL	+/-
A	.06
B	.12
C	.18
D	.50
E	.04



TERM	UF	KVAR
1	15.92	310
2	15.92	310
3	15.92	310
4	15.92	310

SIZE	DWG NO	SHT	REV
A	19L0036WH2	2	1
REV	DESCRIPTION	DATE	APPROVED
1	CHG BORDER	1/11/2007	BTR



SCHEMATIC DIAGRAM - 416

NO INTERNAL DISCH RESISTORS
 CAT. 19L0036WH2 SN
 1240KVAR 1000V 3100HZ 1PH
 4x15.92UF /TAP
 1.13 GAL. COMBUSTIBLE LIQUID
 CAUTION! BEFORE INSTALLING OR
 OPERATING READ GEH-2733
 NP267214
 MADE IN USA

* UP TO +.50 [1.3]
 CASE BULGE

MAX. TERMINAL
 TIGHTENING TORQUE
 15 FT-LBS.
 NP267192A

GE ENERGY FORT EDWARD, N.Y., U.S.A.		SIZE	A	
DRAWN	E. MCGINN	DATE	4/24/2001	
ISSUED		DATE	4/25/2001	
		SCALE	WC9	
		Est Weight	30 lbs.	
<h1>OUTLINE</h1> <h2>19L0036WH2</h2>		SHEET	2	CONT ON 3

DISTR. TO