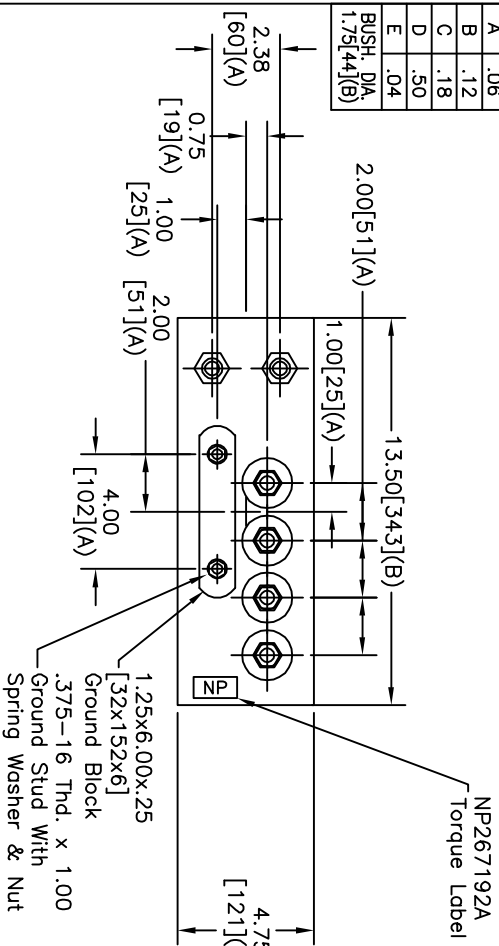
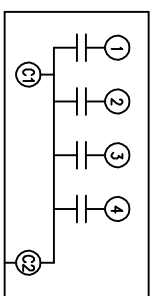
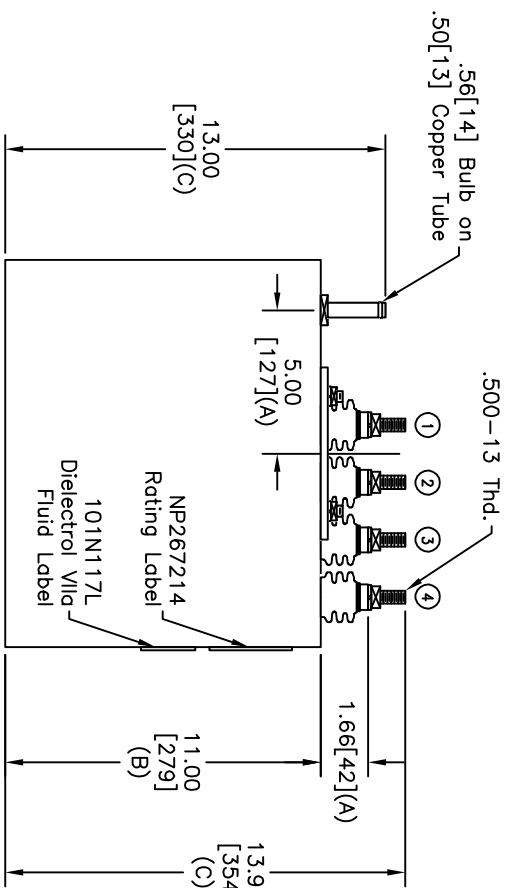


TOL	+/-
A	.06
B	.12
C	.18
D	.50
E	.04



TERM	UF
1	12
2	24
3	48
4	48



NO INTERNAL DISCH RESISTORS
 CAT. 19L0080WH1 SN
 1700V PK-PK 132UF 1100HZ
 12+24+2x48 UF/TAP
 1.1 GAL. COMBUSTIBLE LIQUID
 CAUTION! BEFORE INSTALLING OR
 OPERATING READ GEH-2733
 MADE IN USA NP267214

* UP TO +.50 [13]
 CASE BULGE

MAX. TERMINAL
 TIGHTENING TORQUE
 15 FT-LBS.
 NP267192A



GE ENERGY
 FORT EDWARD, N.Y., U.S.A.

DRAWN	E. MCGINNIN	DATE	4/25/2001
ISSUED		DATE	4/20/2001

SIZE
 A

SCALE

WC9

OUTLINE
 19L0080WH1

SHEET 2 CONT 3

SIZE	DWG NO	SHT	REV
A	19L0080WH1	2	2
REV	DESCRIPTION	DATE	APPROVED
2	ADD SH3	8/13/2007	BTR

DISTR. TO