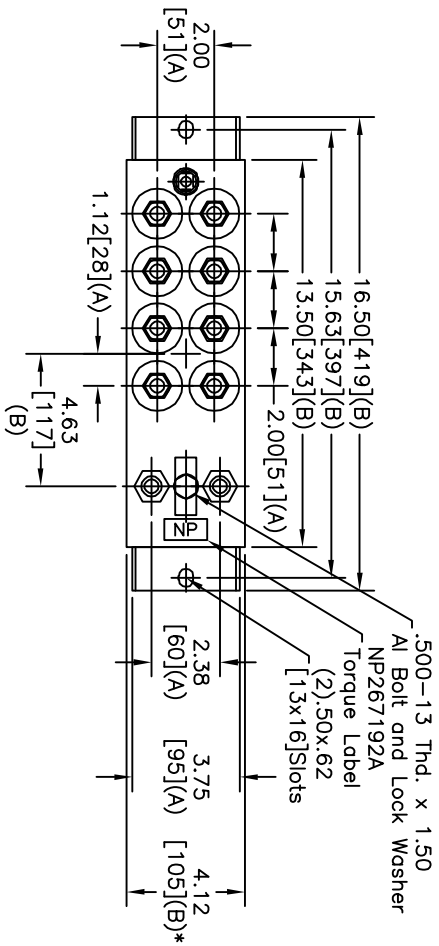
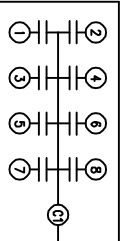
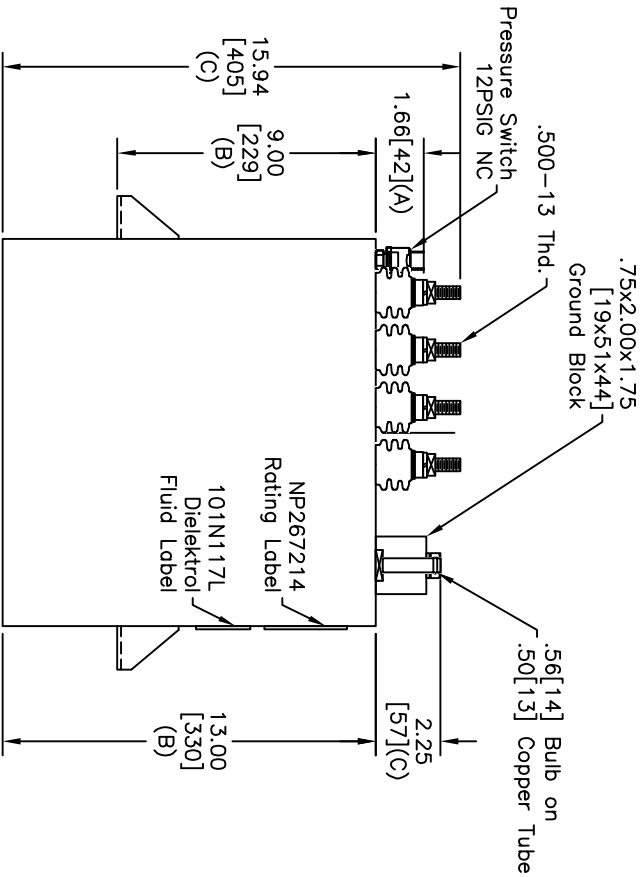


TOL	+/-
A	.06
B	.12
C	.18
D	.50
E	.04
BUSH, DIA	1.75[44](B)



TERM	UF	KVAR
1	4.58	135
2	4.58	135
3	4.58	135
4	4.58	135
5	9.17	270
6	9.17	270
7	9.17	270
8	9.17	270



NO INTERNAL DISCH RESISTORS
 CAT. 19L0081WH4 SN 3000HZ 1PH
 1620KVAR 1250V 4x4.58+4x9.17UF/TAP
 1.54 GAL. COMBUSTIBLE LIQUID
 CAUTION! BEFORE INSTALLING OR
 OPERATING READ GEH-2733
 MADE IN USA NP267214

SIZE	DWG NO	SHT	REV
A	19L0081WH4	2	1
REV	DESCRIPTION	DATE	APPROVED
1	101N117L WAS J	5/31/2007	BTR

* UP TO +.50[13]
 CASE BULGE
 MAX. TERMINAL
 TIGHTENING TORQUE
 15 FT-LBS.
 NP267192A

 GE ENERGY FORT EDWARD, N.Y., U.S.A.		SIZE A
DRAWN E. MCGINNIN	DATE 6/18/1997	Est Weight 42 lbs.
ISSUED	DATE 6/25/1997	
OUTLINE 19L0081WH4		SHEET 2 CONT ON

DISTR. TO