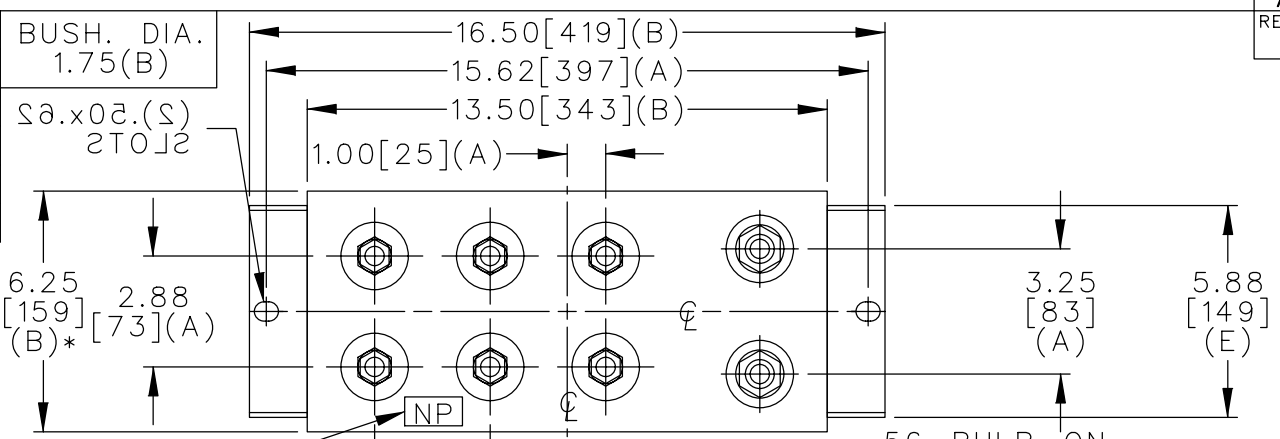
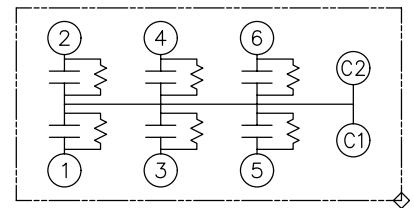
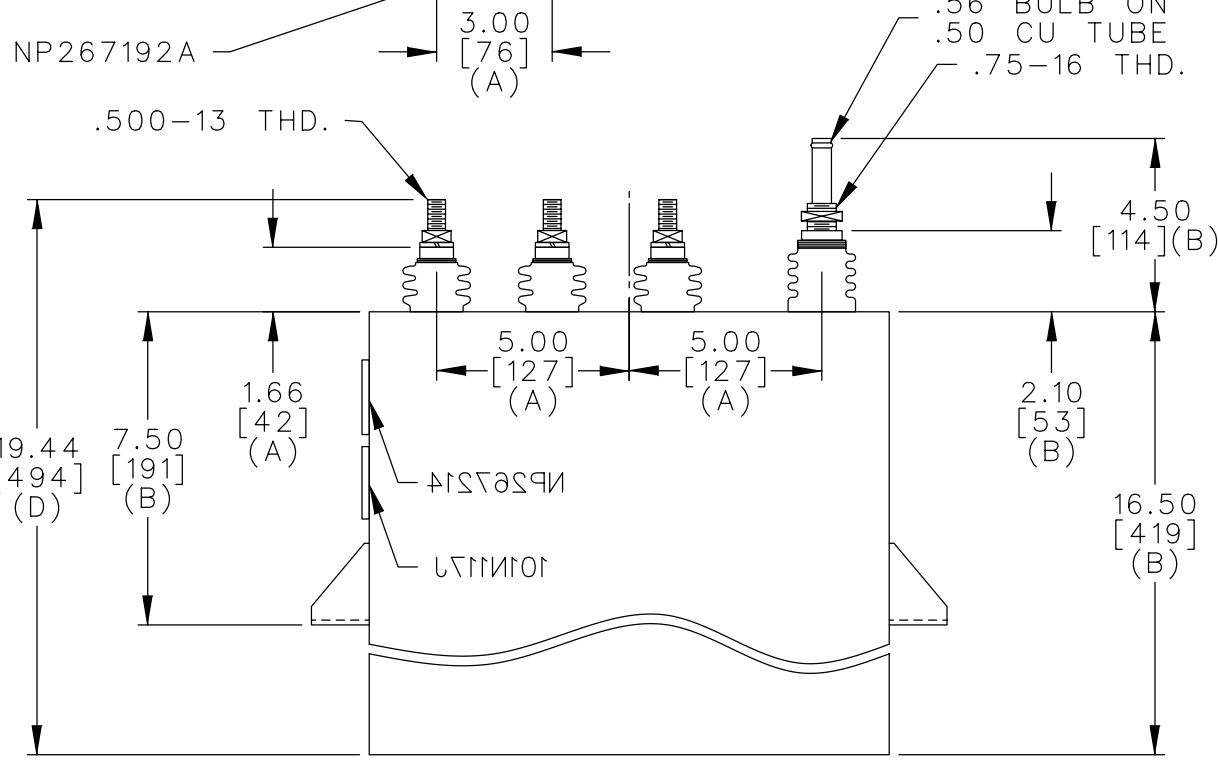


TOL	+/-
A	.06
B	.12
C	.18
D	.50
E	.04



TERM	uF	kVAR
1	39.46	300
2	39.46	300
3	39.46	300
4	39.46	300
5	39.46	300
6	39.46	300



SCHEMATIC DIAGRAM - 617

WITH INTERNAL DISCH RESISTORS
 CAT. 19L0096WH3 SN
 1800KVAR 1100V 1000HZ 1PH
 6x39.46 UF/TAP
 1.94 GAL. COMBUSTIBLE LIQUID
 CAUTION! BEFORE INSTALLING
 OR OPERATING READ GEH-2733
 NP267214

* UP TO +.50
CASE BULGE

MAX. TERMINAL
TIGHTENING TORQUE
15 FT-LBS

NP267192A

	CAPACITOR & POWER PROTECTION FORT EDWARD, N.Y., U.S.A.		SIZE A	OUTLINE 19L0096WH3	SHEET 2 CONT. 3 ON ON
	DRAWN E.McGINN	DEC. 6, 1996	SCALE		
ISSUED	12-11-96	DISTR TO			