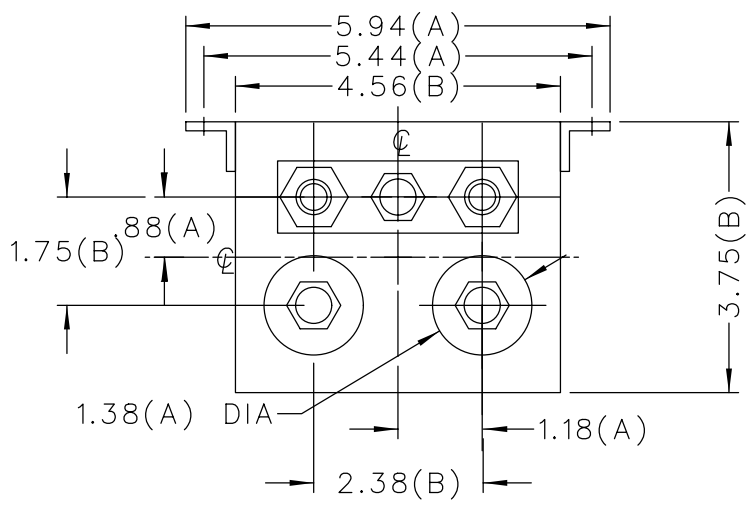
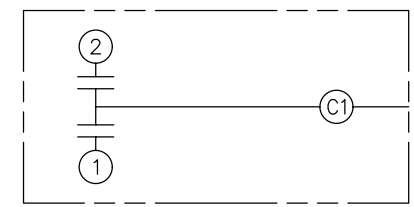
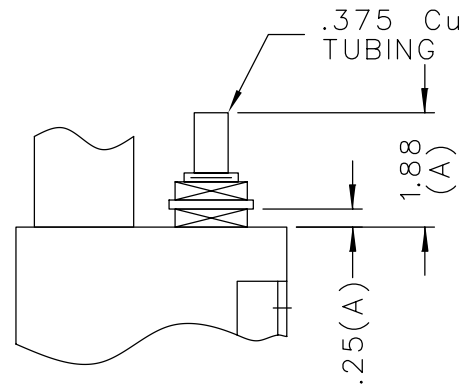
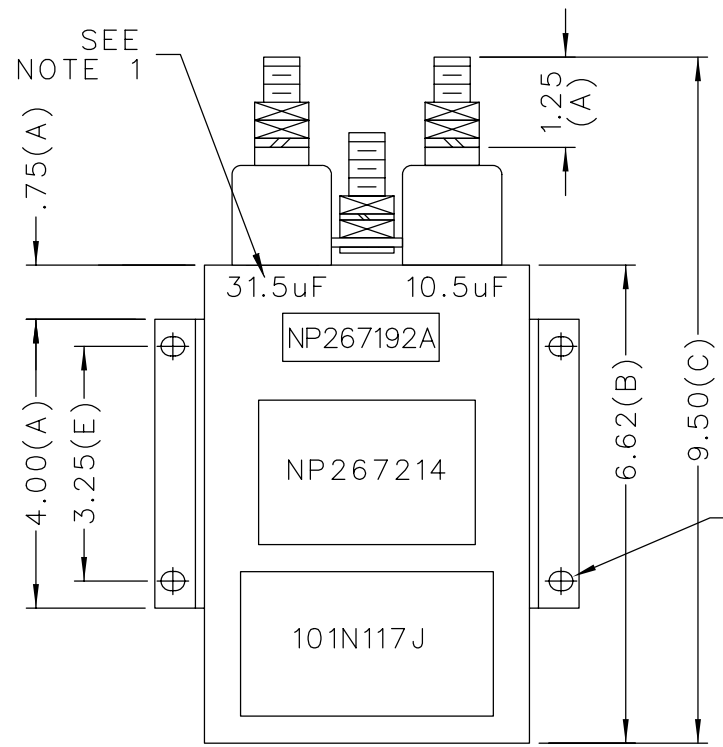


SIZE A	DWG NO. 19L0141WH3	SH 2	REV
REV	DESCRIPTION	APPROVED	
1	McGINN UPDATE CAT NO		



NOTE
1. INK STAMP uF VALUES

TOL	+/-
A	.06
B	.12
C	.18
D	.25
E	.02



SCHEMATIC DIAGRAM - 201

TERM	kVAR	uF	VOLTS
2	16	31.5	90
1	21.4	10.5	180


(4).265 x .328 SLOTS

NO INTERNAL DISCH. RESISTORS
CAT. 19L0141WH3 SN
16/21.4kVAR 90/180V 10kHz 1PH
31.5/10.5 uF
.22 GAL. COMBUSTIBLE LIQUID
CAUTION! BEFORE INSTALLING
OR OPERATING READ GEH-2733

NP267214

MAX. TERMINAL
TIGHTENING TORQUE
15 FT-LBS

NP267192A

 CAPACITOR & POWER PROTECTION
FORT EDWARD, N.Y., U.S.A.

DRAWN E. McGINN DEC. 15, 1997

ISSUED 12-17-97

SIZE
A

SCALE

OUTLINE
19L0141WH3

SHEET 2 CONT. ON

DISTR TO