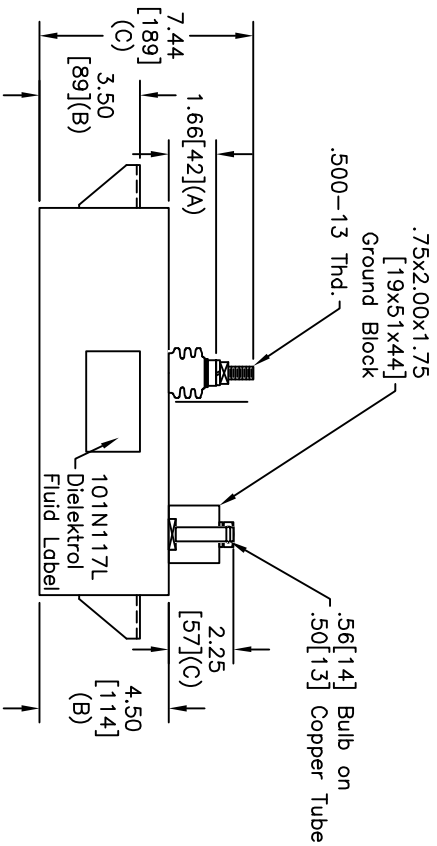
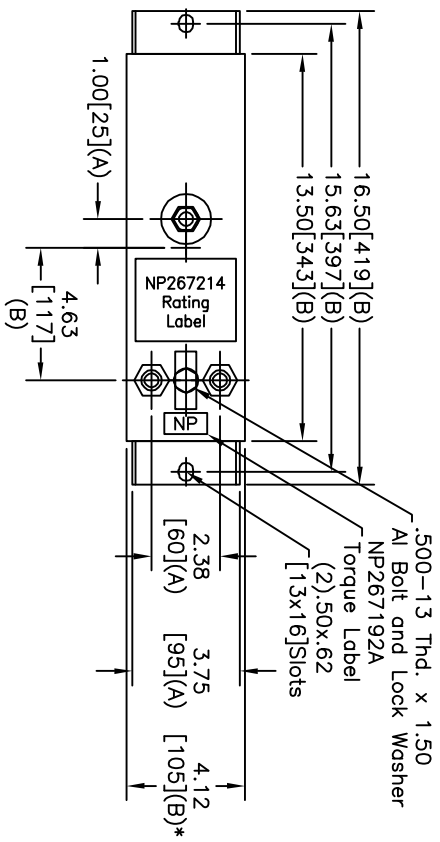
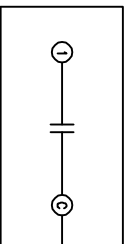


TOL	+/-
A	.06
B	.12
C	.18
D	.50
E	.04
BUSH, DIA	1.75[44](B)



SIZE	DWG NO	SHT	REV
A	19L0146WH3	2	2
REV	DESCRIPTION	DATE	APPROVED
2	101N117L WAS J	5/14/2007	BTR



SCHEMATIC DIAGRAM - 101

NO INTERNAL DISCH RESISTORS
 CAT. 19L0146WH3 SN
 137KVAR 730V 10000HZ 1PH
 4.1 UF
 0.8 GAL. COMBUSTIBLE LIQUID
 CAUTION! BEFORE INSTALLING OR
 OPERATING READ GEH-2733
 NP267214
 MADE IN USA

* UP TO +.50[13]
 CASE BULGE

MAX. TERMINAL
 TIGHTENING TORQUE
 15 FT-LBS.
 PART 192A

GE ENERGY FORT EDWARD, N.Y., U.S.A.		SIZE	A	Est Weight	16 lbs.	OUTLINE
DRAWN	B. ROSS	DATE	5/19/1997	SCALE		SHEET
ISSUED		DATE	5/19/1997			2
		DATE	5/19/1997			CONT
						ON
						-

DISTR. TO