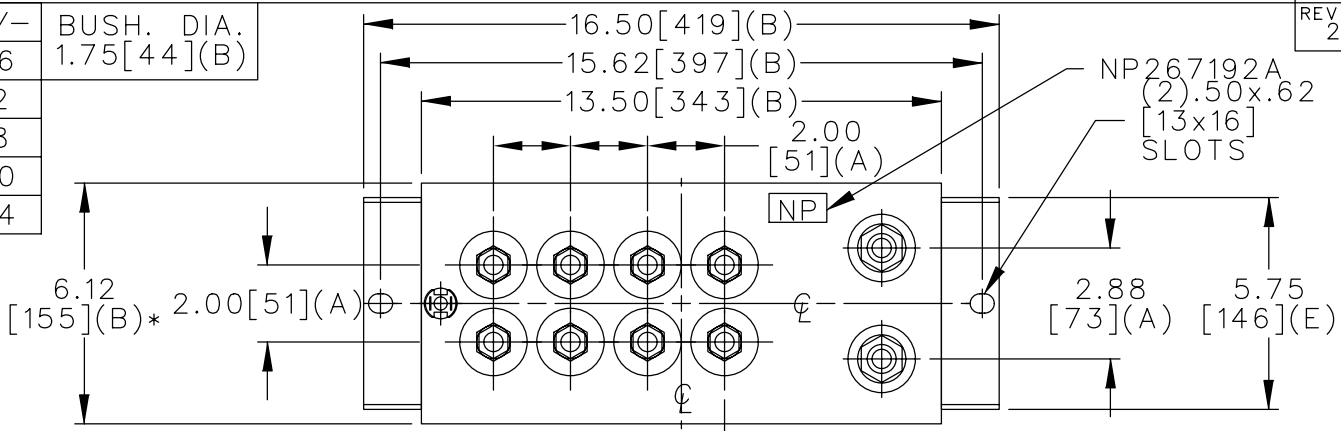
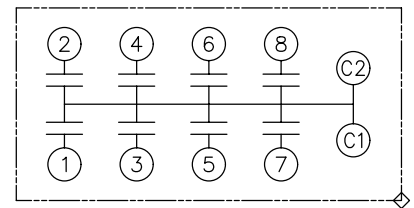


TOL	+/-	BUSH. DIA.
A	.06	1.75[44](B)
B	.12	
C	.18	
D	.50	
E	.04	

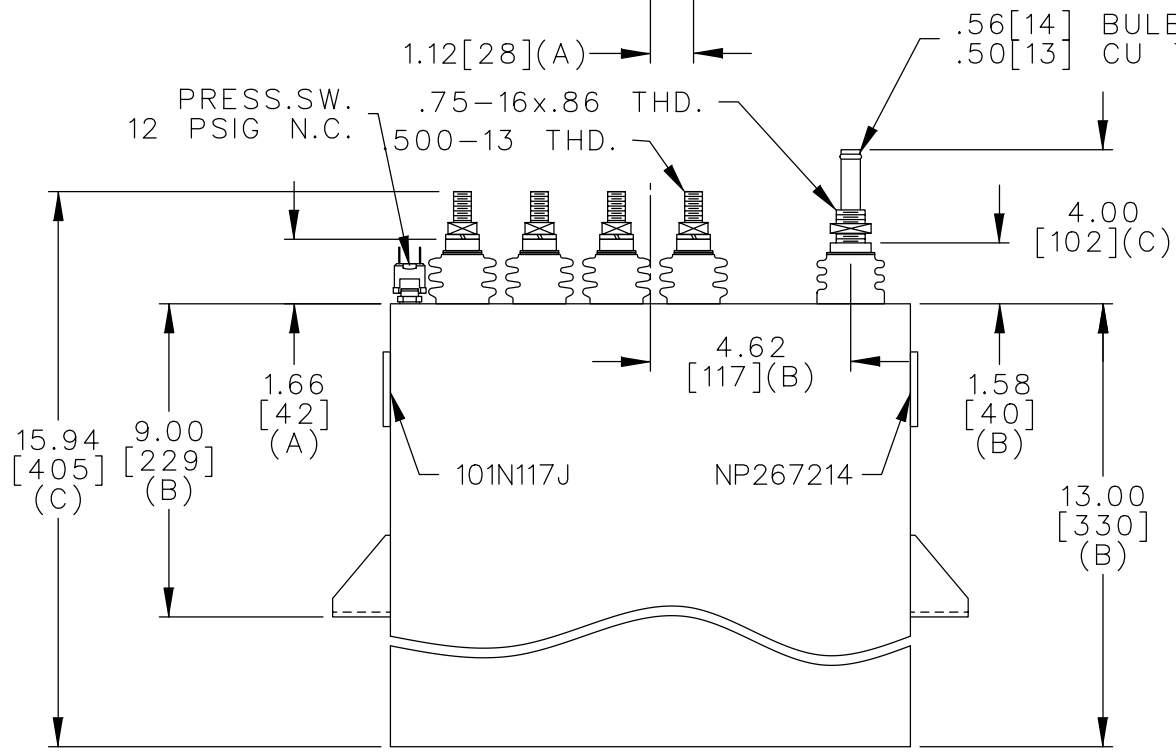


TERM	uF	kVAR
1	22.74	210
2	22.74	210
3	22.74	210
4	22.74	210
5	22.74	210
6	22.74	210
7	22.74	210
8	22.74	210



SCHEMATIC DIAGRAM - 800

NO INTERNAL DISCH RESISTORS
 CAT. 19L0304WH4 SN
 1680KVAR 700V 3000HZ 1PH
 8x22.74 UF/TAP
 2.3 GALS. COMBUSTIBLE LIQUID
 CAUTION! BEFORE INSTALLING OR
 OPERATING READ GEH-2733
 NP267214



* UP TO +.50[13]
 CASE BULGE

MAX. TERMINAL
 TIGHTENING TORQUE
 15 FT-LBS

NP267192A

	CAPACITOR & POWER PROTECTION FORT EDWARD, N.Y., U.S.A.		SIZE A	OUTLINE 19L0304WH4		DISTR TO	
	DRAWN E.McGINN	SEPT. 24, 1997	SCALE		SHEET 2		CONT. ON -
	ISSUED 10-1-97	SCALE		SHEET 2 CONT. ON -			